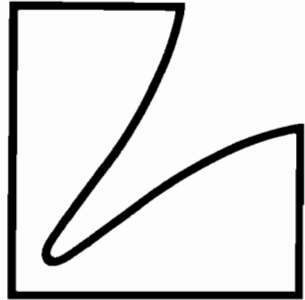


65
K1-103

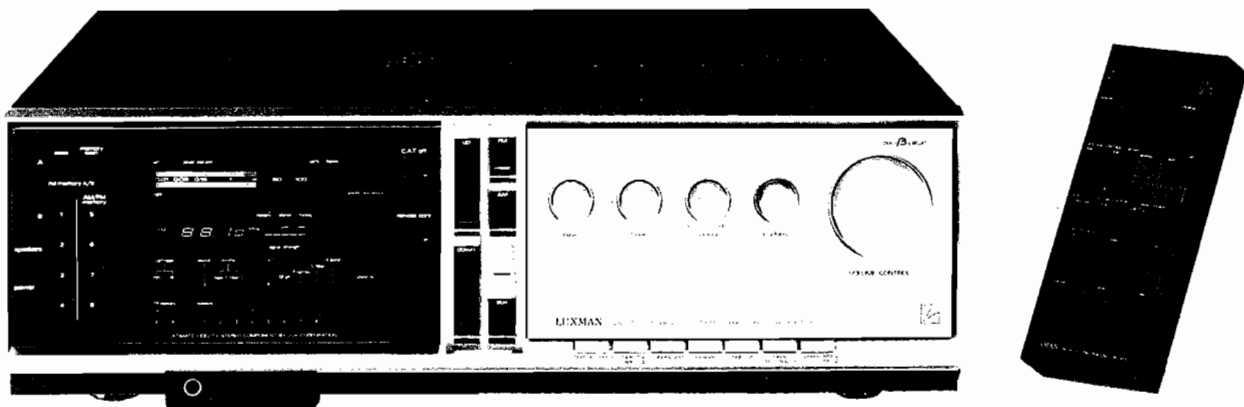
SERVICE MANUAL



Servo Face 90W/Channel
Digital Synthesized Receiver

RX-103

RX-103

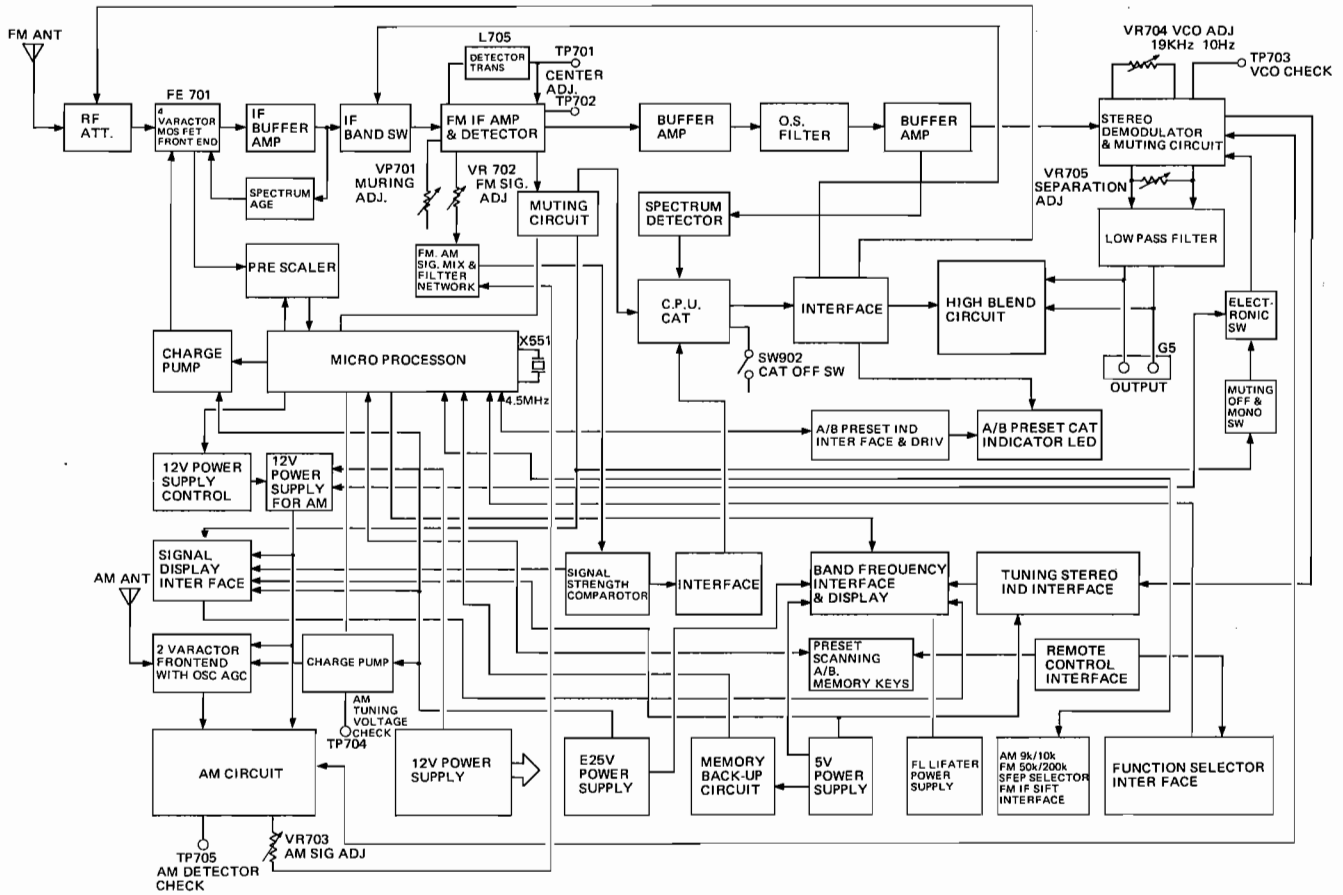


Contents

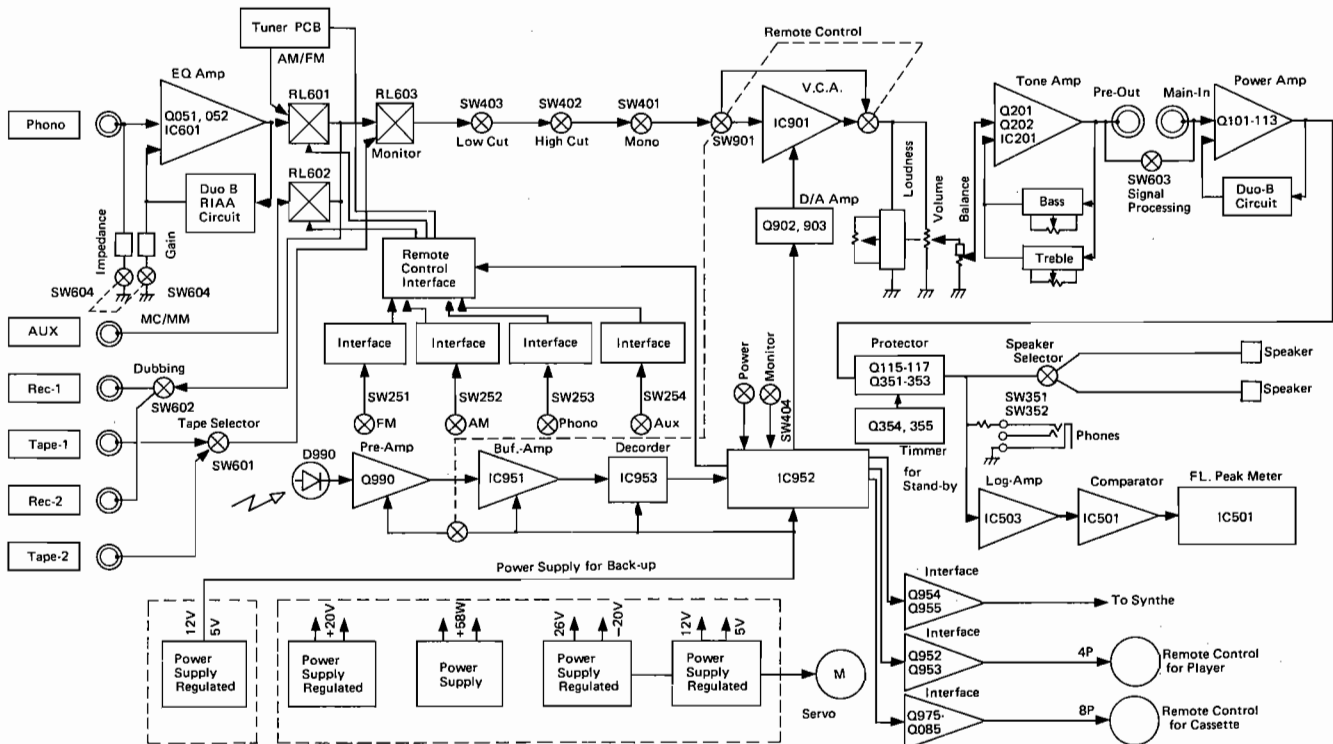
Block Diagram RF Section	2
Block Diagram Audio Section	2
Adjustment Locations	3
Alignment Procedure	4, 5
RC-103 Exploded view Parts List	6
Packing Material Parts List	6
Exploded view	7
Exploded view Parts List	8, 9
FL Fuse PCB Parts List (U Only)	10
AC Fuse PCB Parts List (AK Only)	10
Transmitter PCB Parts List	10
MC Amp PCB Parts List	11
Display PCB Parts List	11
Power Relay PCB Parts List	11
Remote Control PCB Parts List	12
Power Amp PCB Parts List	13
Functions LED PCB Parts List	13
Tone Control PCB Parts List	14
Speaker Terminal PCB Parts List	14
Function SW PCB Parts List	15
Head Phone PCB Parts List	15
Full CAT PCB Parts List	16
Speaker SW PCB Parts List	17
FL Peak Ind. PCB Parts List	17
Filter SW PCB Parts List	18
Reg PCB Parts List	18
UP/POWNR SW PCB Parts List	18
SNY PCB Parts List	18, 19
Power PCB Parts List	21, 22
Tact SW PCB Parts List	22
Radio PCB Parts List	24, 25, 26
Preset LED PCB Parts List	27
Infrared PCB Parts List	27
Voltage Amp PCB Parts List	28
Switch PCB Parts List	28
Decoder PCB Parts List	29
IC Handling Guide	30, 31
AF Schematic Diagram (RX-103)	32
RF Schematic Diagram (RX-103)	33
Specifications	34

RX-103

Block Diagram RF Section

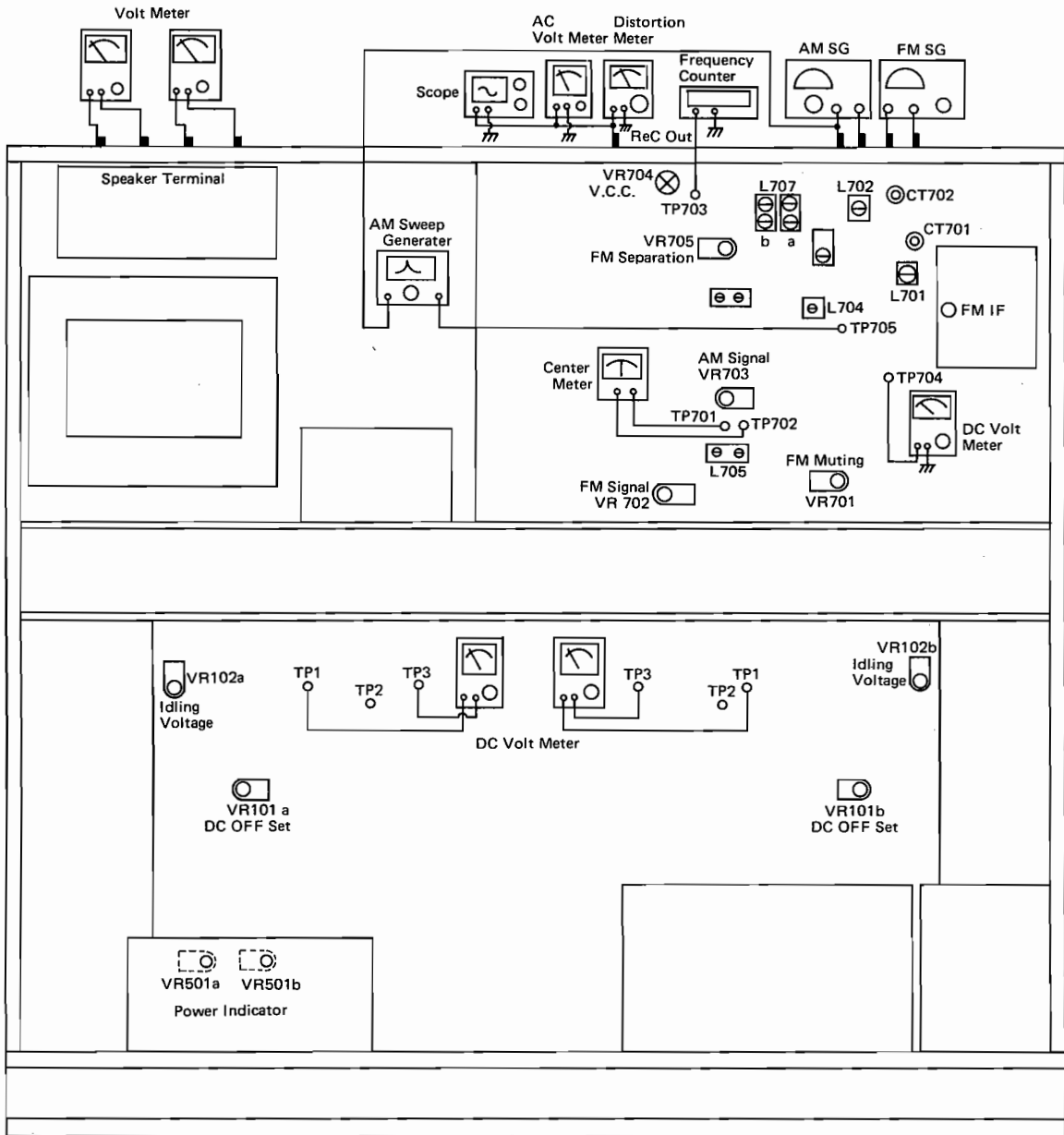


Block Diagram Audio Section

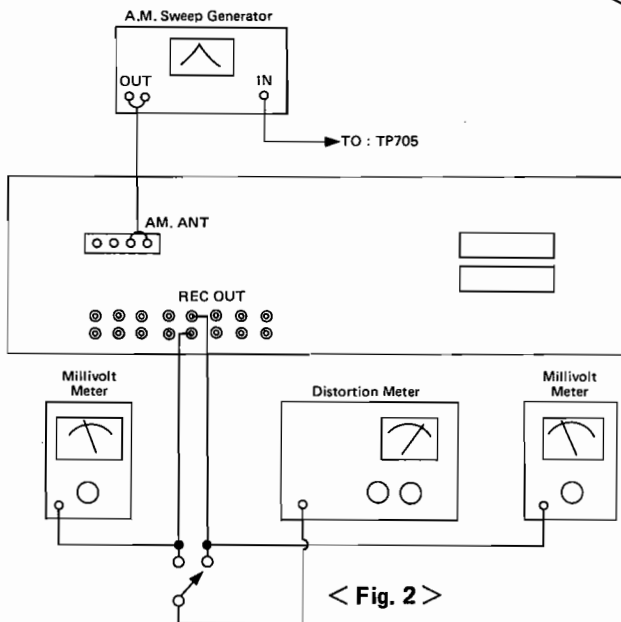


RX-103

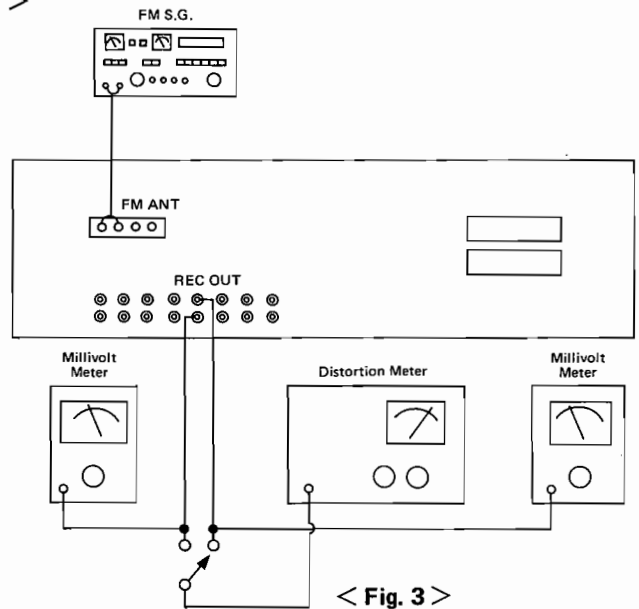
Adjustment Locations



< Fig. 1 >



< Fig. 2 >



< Fig. 3 >

RX-103

Alignment Procedure

(See Fig. 1 For adjustment point)

Note

Do not adjust this unit unless absolutely necessary. The following adjustments should NOT be performed unless the technician (This means you!), has a through understanding of the circuitry and principals involved AND has proper test equipment.

If these conditions are not met, it is quite likely any adjustments made will degrade performance and potentially affect reliability.

1. Audio section, bias and offset voltage adjustment :

- A Connect the unit to an A.C. variable transformer (variac), with the volume control at minimum, power off. NOTE: A variac with an A.C. ammeter is desirable, so line current can be monitored.)
- B Connect a digital voltmeter to S/2 and S/3 (main amp output) on the main amplifier board. Turn on the unit and turn up the variac to rated input voltage (120 to 240 vac, depending on country of use.)
- C Check the D.C. offset and adjust VR101a,b for zero volts plus or minus 50 millivolts (check both channels).
- D Connect the D.V.M. to TP-1 and 3 on the main amp and adjust VR102a, b for 14 millivolts plus or minus 5 millivolts.
- E Allow the unit to idle for approximately 10 minutes and recheck the above adjustments. Re-adjust if necessary.
- F Turn the power switch off and then on and confirm the speaker relay closes in 7 seconds (plus or minus 2 seconds).

2. Audio section (Output power fluorescent peak indicator)

- A Inject a 1KHz monaural sine wave signal to both auxiliary inputs. Adjust the receiver to obtain 28V output (100W no load) across the speaker terminals.
- B Adjust VR5011a,b so the 100W segment of the fluorescent indicator just light. Reduce the audio input and insure both channels indicate the same level. Re-adjust if necessary.

A.M. Alignment

3. In order to properly align the A.M. section of the RX-103, an A.M. sweep generator is necessary. If you do not have this type of test equipment, please do not attempt to align the unit.

- A Connect test equipment as per fig. 2 to "record out" R.C.A. jacks. Do not connect any A.M. antenna other than a signal generator.
- B Connect a D.V.M. to TP-704 and chassis.
- C Check voltage present at TP-704. The voltage level should be 2.0V at 600KHz (603KHz for European version) and 7.0V at 1400KHz (1400KHz for European version).
- D If these voltage/frequency points are not correct, then carefully adjust L-701 for the low end (600 or 603KHz), and CT-701 for the high end (1400 or 1404KHz).
- E These adjustments interact so it will be necessary to readjust each end of the band until the voltages shown are correct.
- F Connect the output of your A.M. sweep generator to the A.M. Antenna terminals and then connect the input of the generator to TP-705 and chassis ground. Adjust the receiving frequency of the RX-103 for 530KHz (522KHz for European version).
- G Use the minimum output of the generator necessary to obtain a useable pattern on the oscilloscope. Adjust L-703 and L-704 for the optimum pattern (minimum distortion, maximum gain and band width).
- H Adjust the A.M. generator output frequency to 1400KHz (1404 for European version). 400Hz 30% modulation at 55 dB/m output. Adjust CT-702 for maximum output.
- I Readjust the A.M. generator to 600KHz (603KHz for European version), 400Hz 30% modulation, 55dB/m output. Adjust L-702 for maximum output.
- J Repeat steps H and I until optimum tracking is obtained.
- K Adjust the A.M. signal generator for 1000KHz (999KHz for European version), 400Hz 30% modulation and 80dB/m output.
- L Adjust VR-703 so the signal strength fluorescent display is fully lighted.
- M Set the unit for A.M. reception and confirm tuning operation in 10KHz (9KHz in European models) increments using the up/down tuning buttons.
- N Confirm no operation is possible when depressing the F.M. memory A/B selector.
- O Confirm proper operation of all A.M. functions.

F.M. Tuner Alignment

1. Proper alignment of the E.M. circuitry is critical. In order to obtain maximum performance, DO NOT adjust any F.M. circuitry unless you have a stable high quality digital readout F.M. signal generator with an external F.M. multiplex composite signal modulator.

Alignment attempts without using the above type of equipment will likely degrade the unit's performance.

- A Connect the RX-103 to test equipment per fig. 3.
- B Depress (turn on) the C.A.T. and "mono" switch on the front panel.
- C Adjust the F.M. signal generator for a 98.1MHz, 1KHz 100% modulation, monaural signal, 1000 microvolt (65dBf) output signal. Tune the Rx-103 to receive the above signal (98.1MHz).
- D Connect a center reading millivoltmeter (range, D.C. plus or minus 3V) to TP-701 and TP-702. If any voltage is present adjust the primary core of L-705 to obtain a zero reading.
- E Reduce the F.M. signal level of the generator to approximately 1-2 microvolts (10dBf) and vary the output frequency to obtain symmetrical upper and lower waveforms as observed on the oscilloscope. Note the frequency difference from the original setting (98.1MHz) and depending on the amount varied delete diodes on the synthesizer board according to the table below :
 - a) in vicinity of -25KHz D574 & D575
 - b) in vicinity of -50KHz D574
 - c) in vicinity of +25KHz D575
 - d) in vicinity of +/-10KHz Nothing
- F Increase the output of the signal generator to 1000 microvolts (65dB) and adjust the secondary Core of L-705 for minimum distortion. Recheck the center tuning voltage at TP-701 and TP-702 and TP-702 and readjust the primary Core (LA1235) of L-705 if necessary. Look at the front panel and insure the tuning indicator is lighted.
- G. Turn on the mute switch and connect frequency counter to TP-703 and Chassis. Turn off the mono switch and adjust generator for mono output 1000 microvolts.
- H. Check the frequency at TP-703 it should free-run at approximately 19KHz±10Hz. If not 19KHz±10Hz, then adjust VR704 to obtain 19KHz±10Hz.

- I Adjust generator for 3000 microvolts, 10% pilot signal.
- J Turn off the "C. A. T. " and check the stereo separation. Adjust VR-705 so both channels are balanced and separation is in excess of 48dB.
- K Adjust the front end I.F. transformer for minimum distortion in the stereo mode. Recheck the stereo separation adjusted in step J. Perform both J and K adjustments until maximum performance is obtained.
- L Adjust the signal generator for a pilot only signal and check that the suppressed pilot signal is at least 62dB below the previous reference level. If adjustment is necessary, L-707a, b will correct the problem.
- M Confirm stereo fluorescent bar operation during stereo reception and that the fluorescent bar is not lighted when the receiver is set for monaural reception (muting off).
- N Adjust the signal generator for monaural output, 1KHz 100% modulation, 5microvolts. Turn on mute switch. Adjust VR-701 (mute level), so the receiver "breaks" mute at the five microvolt level.
- O Adjust the signal generator output level for 500 microvolts and adjust VR-702 so the five bars on the F.L. display light.
- P Turn on the C.A.T. switch. Vary the signal generator frequency and confirm the C.A.T. indicator does not operate between stations or when the C.A.T. switch is off. The C.A.T. indicator should come on above the five microvolt mute level.
- Q Input a 3000 microvolt stereo signal with the 400Hz filter on the generator or distortion analyzer "in".
- R Detune the receiver and retune to the signal generator. Stereo separation of 48dB (40dB for European unit) should be obtained.

Synthesizer Function Verification

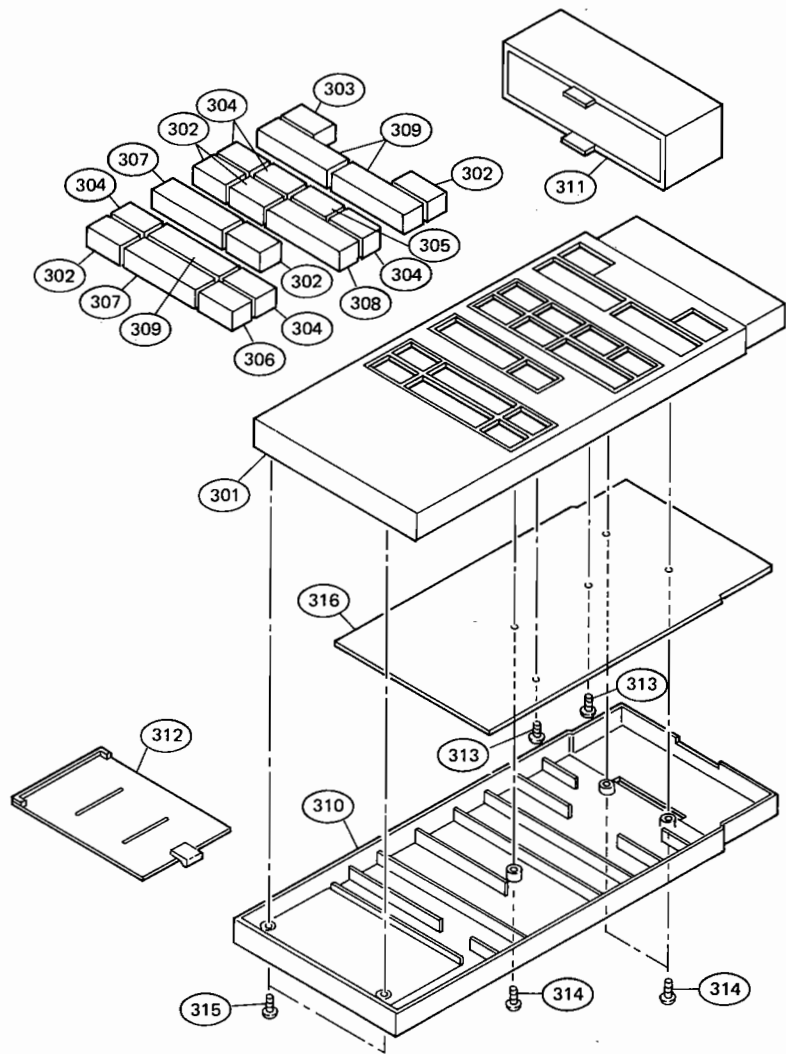
1. Set the receiver for F.M. reception and confirm that the unit tunes in 200KHz increments (50KHz for European units). Use both the up/down functions.
2. Confirm the fluorescent memory indicator disappears within five seconds after memory entry is made. The memory bar should disappear immediately if any of the following is activated:
 - A Up/down tuning
 - B Input selector switch (Phono auxillary, etc.)
 - C F.M. memory A/B selector
 - D Memory scan
3. Confirm that 8 station preset can be entered (store 8 different frequencies) on the "A" memory. Repeat this test using the "B" memory. Sixteen stations can be entered with this system.
4. Confirm memory scan function by operating the memory scan and nothing that previously stored stations are selected at five second intervals (check A and B memory).
5. Confirm that scanning stops when the memory scan button or one of the memory station buttons (1 thru 8), is depressed during scanning.
6. Depress and hold one of the memory buttons and confirm that attempted operation of any of the other memory related buttons does not occur.

RX-103 Remotecontrol Receiver Alignment

1. Set up RX-103 with power off and connected to test equipment per fig. 2.
2. Confirm the receiver tape monitor lamps and circuitry operates using the front panel tape switches (tape 1-tape 2 monitor).
3. Connect an oscilloscope to the test point next to the decoder P.C.B. (84D55321F 04) (TP)
4. With the front panel remote switch off, press any remote function (other than on/off) and adjust L-951 on the remote P.C.B. for maximum output on the scope.

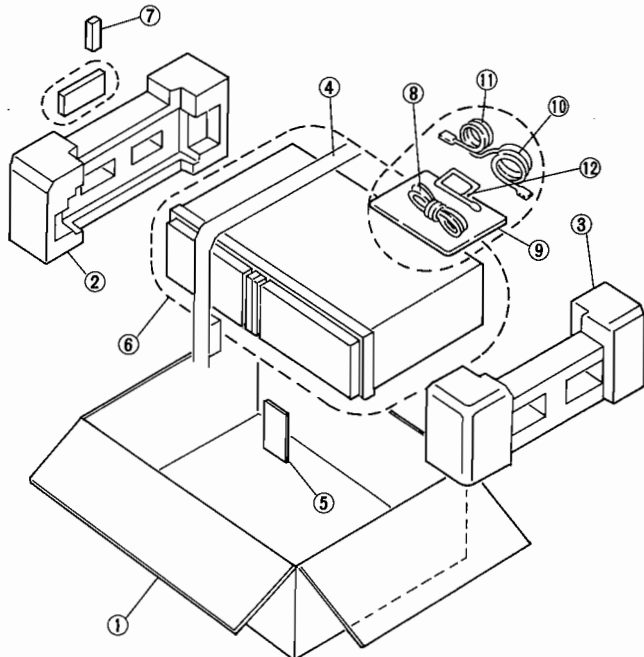
NOTE: Be careful not to overload the remote receiver by aiming the remote directly into the front panel. Aim the remote near the front, but at an angle of 15 degrees or so. Over loading the remote receiver will not damage the unit, but it may be difficult to adjust.
5. Turn on the front panel remote switch. Push the "aux" button on the remote and verify the receiver switches to the "aux" mode.
6. Turn off the front panel remote switch and input a 1KHz sine wave into the auxillary circuit. Connect the speakers to a 100W dummy load and increase the volume control to maximum. Adjust the auxillary generator level to obtain 100W out. This level will be used as a 0dB reference.
7. Turn on the front panel remote switch and confirm the output level of the receiver drops -10dB when the "up" volume button on the remote transmitter is pressed. Verify a -60dB drop in volume is possible when the "down" button is activated.
8. Increase volume back to the -10dB level and confirm that -60dB reduction occurs when the "mute" button is activated.
9. Confirm that the L.E.D. on the remote transmitter lights when any function other than "rec" is pressed.
10. Verify all functions operate when activated by the remote control.
11. Verify remote operation is NOT possible when the remote switches on the receiver is off.

RC-103 Exploded View Parts List



Symbol No.	Stock No.	Description
301	07C55088F01	Frame, Upper
302	36A55091F01	Knob, Push A
303	36A55091F02	Knob, Push A
304	36A55092F01	Knob, Push B
305	36A55092F02	Knob, Push B
306	36A55093F01	Knob, Push C
307	36A55094F01	Knob, Push D
308	36A55094F02	Knob, Push C
309	36A55095F01	Knob, Push E
310	07C55089F01	Frame, Lower
311	07A55090F01	Frame, Top
312	15B51498F02	Cover, Battery
313	03S40012G83	Scr, Tpg. M2x8 Blk
314	03S40012G84	Scr, Tpg. M2x12 Blk
315	03S40012G85	Scr, Tpg. M2x14 Blk
316	01V56400F71	Ass'y, Transmitter PCB

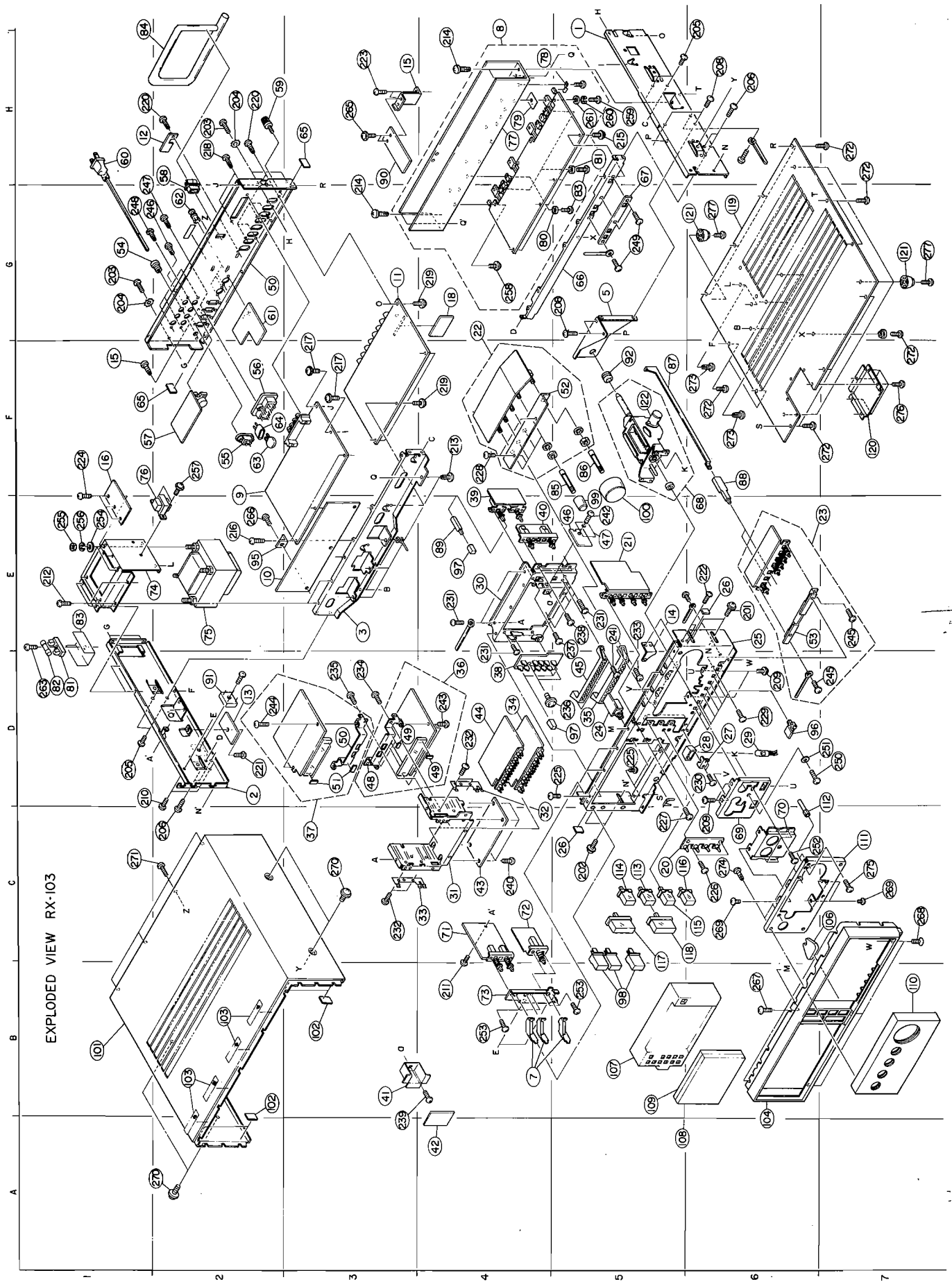
Packing Material Parts List



Symbol No.	Stock No.	Description
1	56C53420F09	Carton, Pkg
2	56D57641F01	Pkg, Tray (L)
3	56D57642F01	Pkg, Tray (R)
4	42A56390F01	Belt, Pkg
5	43A56256F01	Spacer, Pkg
6	56B40442T08	Pkg, Front Frame
7	56A57313F01	Spacer
8	85T51069F01	Antenna, FM
9	ME0240	Owner's Manual
10	01T56282F01	Ass'y, Din Cord 8P
11	01T56283F01	Ass'y, Din Cord 4P

Exploded View

RX-103



Exploded View Parts List

Index	Symbol No.	Stock No.	Description
H5	1	07D53039F01	Bkt,R
D2	2	07D53040F01	Bkt,L
E3	3	07D53041F01	Bkt,C
G5	5	07B53049F01	Bkt,Servo Shaft
B4	7	45A53081F01	Lever,Push B
H4	8	01V56400F53	Assy,Main Amp PCB
		01V58900F93	Assy,Main Amp PCB
E2	9	01V56800F48	Assy,Radio PCB
		01V58900F94	Assy,Radio PCB (AK)
E2	10	01V56400F75	Assy,Full Cat PCB
		01V58900F95	Assy,Full Cat PCB (AK)
G3	11	01V56400F55	Assy,Power PCB
		01V58900F96	Assy,Power PCB (AK)
H1	12	07A56395F01	Support,SW
D2	13	01V56400F56	Assy,FL Fuse PCB
		01V58900F97	Assy,FL Fuse PCB (AK)
E5	14	07A53055F01	Bkt,Servo Guide
H3,F1	15	07A55317F01	Bracket,Wire B
F1	16	01V56400F74	Ass'y,Power Relay PCB
		01V58900F98	Assy,Power Relay PCB(AK)
G4	18	01V56400F80	Ass'y,MC Amp PCB
		01V58700F15	Ass'y,Reg PCB
C5	20	01V56400F43	Ass'y,Funcnt.LED PCB
E5	21	01V56400F73	ASS'y,Function SW PCB
G4	22	01V56400F45	Ass'y,Tone Cont. PCB
E7	23	01V56400F46	Ass'y,Filter SW PCB
D5	24	01V56400F47	Ass'y,HD Phone PCB
E6	25	27D53060F01	Chassis,Front
E6,C5	26	43A55385F01	Spacer Front Chas
D6	27	07A53113F01	Bkt,Lamp
D6	28	43A53112F01	Bushing,Lamp
D6	29	65T53343F01	Lamp,Pilot
	30	07C53043F01	Bkt,Indicator A
C4	31	07C53044F01	Bkt,Indicator B
C4	32	41A53078F01	Spring,Plate A
C4	33	41A53079F01	Spring,Plate B
D4	34	01V56800F49	Assy,Preset LED PCB
D5	35	07B53038F01	Frame,LED B
D4	36	01V58700F05	Assy,Sny PCB
		01V58900F89	Ass'y,SNY PCB (AK)
C3	37	01V56400F41	Assy'y,FL Peak Ind. PCB
D4	38	01V58300F40	Ass'y,TACT SW PCB
E4	39	01V56400F72	Ass'y,Voltage Amp PCB
E4	40	01V56400F42	Ass'y,UP/DOWN SW PCB
B3	41	07A55316F01	Bracket,Remote
A4	42	43A55318F01	Spacer,C
C4	43	01V56400F76	Ass'y,Decoder PCB
D4	44	01V56400F77	Ass'y,Display PCB
		01V58900F90	Ass'y,Display PCB (AK)
D5	45	07B53038F01	Frame,LED B
E5	46	01V56400F78	Ass'y,Infra LED PCB
E5	47	26A58040F01	Shield,1135
D3	48	07A53054F01	Bkt,Indicator
D4,D3	49	43A53073F01	Spacer,A
G2,D3	50	07A53054F01	Bkt,Indicator
D3	51	43A53073F01	Spacer,A
F5	52	07B53050F01	Bkt,Rotary Knob A
E6	53	07B53052F01	Bkt,Push SW A
G1	54	43B41625J02	Support Cord
F2	55	09T53348F01	Outlet AC 1P
F2	56	09T53349F01	Outlet AC 3P
F1	57	01V56400F49	Ass'y,SP Terminal PCB
H2	58	55T51079F01	Lock,Ant. Holder
H2	59	09T51075F01	Terminal,GND
H1	60	28T55335F01	Plug,AC Cord SPT-2
		28T43812P02	Plug,AC Cord (AK)
G2	61	01V56400F79	Ass'y,Rem.Cont.PCB
G2	62	05B41635J02	Rivet Push
F2	63	08T52995F01	Cap,0.01 DE7150FZ
		08T57437F09	Cap,DE7150 FZ 103P (AK)
F2	64	43T53136F01	Bush,Cap TP150-301
H3,F1	65	43A56380F01	Spacer,Rubber 1184
G5	66	07D53042F01	Bkt,F
H5	67	43A53075F01	Spacer,Lever
E6	68	01C55485F01	Ass'y,Servo Mech
C6	69	07B53047F01	Bkt,Servo Chas A
C6	70	07B53048F01	Bkt,Servo Chas B
C4	71	01V56400F51	Ass'y,SP. SW PCB

Index	Symbol No.	Stock No.	Description
C4	72	01V58100F47	Ass'y,SW PCB
B4	73	07A53053F01	Bkt,Push SW B.
E2	74	07C53122F01	Bkt,Trans B
E2	75	25T55294F01	Trans,Power P-7012
		25T58071F01	Trans,Power 103 (AK)
F1	76	25T56008F01	Trans,Power
		25T57636F01	Trans,Power (AK)
H4	77	07D53126F01	Heat,Sink
H4	78	07R51146F01	Support,TR
H4	79	14S56709F01	Insulator,TR
G4	80	43T45472F01	Bushing,YC40B
H5,D1	81	09T51882F01	Holder,Fuse X-N1157
		09T51074F01	Holder,Fuse (AK)
D1	82	65T56270F01	Fuse,61ML 6-125
G5,E1	83	43A57047F01	Spacer,Fuse
H1	84	85T51078F01	Antenna,Loop
F5	85	47A53082F01	Shaft,A
F5	86	47A56389F01	Shaft,1376
F5	87	45B53080F01	Lever,Push A
F6	88	47B53083F01	Shaft,B
E4	89	47A53084F01	Shaft,C
H3	90	84D55309F09	Panel,Wire
D2	91	48T56268F01	Diode SI,S5VB40-2
F5	92	43A55383F01	Screw Bushing,Shaft
		08T52995F01	CAP,0.01 DE7150FZ
		08T57437F09	CAP,DE7150 FZ 103P (AK)
	94	84D53341F08	Panel,Insulator
E2	95	07A53056F01	Bkt,Print Board
D6	96	36B53064F01	Knob,Push A
E4,D5	97	36A53065F01	Knob,Push B
B5	98	36B53066F01	Knob,Push C
E5	99	36A52963F01	Knob,Control
E5	100	36B53070F01	Knob,Rotary VR
B1	101	15D53058F01	Cover,Top
B2	102	43A55384F01	Spacer,Top Cover
B3,B2	103	43A56871F01	Spacer,1187
B6	104	07D52966F02	Frame,Front
	105	43A57045F01	Spacer,Frame
C7	106	61A53115F01	Crystal,Acryl
B5	107	07D53035F02	Frame,Indicator
A5	108	61A53087F01	Crystal,Indicator B
B5	109	61A53088F03	Crystal,Indicator C
B7	110	07C53036F03	Frame,Servo
C7	111	07B53046F01	Bkt,Servo Frame
D7	112	47A53085F01	Shaft,Servo Guide
C5	113	01V54300F40	Ass'y,Knob (AM)
C5	114	01V54300F41	Ass'y,Knob (FM)
C6	115	01V54300F42	Ass'y,Knob (Phono)
C5	116	01V54300F43	Ass'y,Knob (AUX)
C5	117	01V54300F44	Ass'y,Knob (UP)
C6	118	01V54300F45	Ass'y,Knob (DOWN)
G6	119	15C53057F02	Cover,Bottom
F7	120	07A53356F01	Bkt,Bottom
G7,G6	121	75A52969F01	Pad Trann-Leg
F5	122	59T52973F01	Motor,Servo
E6	201	03C42723U01	Scr,Cup M3x6
C5	202	03C42723U01	Scr,Cup M3x6
H2,G1	203	03S44205G02	Scr,T-Tite M3x6
H2,G1	204	04S40072G16	Wsr,T.L. M3
H5,D1	205	03S44205G01	Scr,T-Tite M3x6
H5,C2	206	03S44205G01	Scr,T-Tite M3x6
H5,G5	208	03S44205G01	Scr,T-Tite M3x6
D6,C6	209	03S44205G32	Scr,T-Tite M3x5
D1	210	03S44205G01	Scr,T-Tite M3x6
B4	211	03C42723U01	Scr,Cup M3x6
E1	212	03S44205G49	Scr,T-Tite M4x8 Bind
F4	213	03S40018G14	Scr,Taping M4x8 W.H.
H4,G3	214	03S44205G49	Scr,T-Tite M4x8 Bind
H5	215	03C42723U01	Scr,Cup M3x
E2	216	03S44205G03	Scr,T-Tite M3x8
F3	217	03C42723U01	Scr,Cup M3x6
H2	218	03S40012G41	Scr,Tpg.M3x8
G4,F4	219	03C42723U01	Scr,Cup M3x6
H2,H1	220	03S40012G41	Scr,Tpg.M3x8
D2	221	03C42723U01	Scr,Cup M3x6
E6	222	03C40014G04	Scr,Mch M3x6
H3	223	03S44205G01	Scr,T-Tite M3x6
F1	224	03C42723U01	Scr,Cup M3x6

RX-103

Index	Symbol No.	Stock No.	Description
D5	225	03S44205G12	Scr,T-Tite M3x4
C6	226	03C42723U01	Scr,Cup M3x6
C5	227	03C40014G04	Scr,Mch M3x6
F4	228	03S44205G01	Scr,T-Tite M3x6
D6	229	03S44205G01	Scr,T-Tite M3x6
D6	230	03S44205G01	Scr,T-Tite M3x6
E4,D4	231	03S44205G01	Scr,T-Tite M3x6
D4,C3	232	03S44205G05	Scr,T-Tite M3x5
E5	233	03S44205G01	Scr,T-Tite M3x6
D3	234	03S44205G05	Scr,T-Tite M3x5
D3	235	03S44205G05	Scr,T-Tite M3x5
D5	236	03C42723U01	Scr,Cup M3x6
E5	237	03C40014G04	Scr,Msh M3x6
E5	238	03C40014G04	Scr,Mch M3x6
A3	239	03S44205G01	Scr,T-Tite M3x6
C4	240	03C42723U01	Scr,Cup M3x6
E5	241	03S44205G01	Scr,T-Tite M3x6
E5	242	03C42723U01	Scr,Cup M3x6
D4	243	03C42723U01	Scr,Cup M3x6
D2	244	03C42723U01	Scr,Cup M3x6
E7,D7	245	03C40014G04	Scr,Mch M3x6
G1	246	03S40012G41	Scr,Tpg.M3x8
G1	247	03S40012G41	Scr,Tpg.M3x8
G1	248	03S40012G41	Scr,Tpg.M3x8
G5	249	03S44205G01	Scr,T-Tite M3x6
D7	250	03S43997P60	Scr,Mch M4x8
D7	251	04S40071G03	Wash,4.7x7.6x1.0

Index	Symbol No.	Stock No.	Description
C6	252	03S44205G01	Scr,T-Tite M3x6
B5	253	03C40014G04	Scr,Mch M3x6
E1	254	04S40070G35	Wash,4.2x10x0.8
E1	255	02S40000G09	Nut,Hex M4
E1	256	04S40071G03	Wash,4.1x7.6x1.0
F2,C7	257	03C42723U01	Scr,Cup M3x6
G4	258	03S40018G02	Scr,Tpg.M3x8
H5	259	03S40011G32	Scr,Mch M3x12
		03S43997P82	Scr,Mch M3x4 (AK)
H5	260	04S40071G05	Wash,3.1x5.9x0.7
H5	261	04S40070G23	Wash,3.3x6x0.5
	262	03S40011G43	Scr,Mch M3x10
D1	263	03S44205G03	Scr,T-Tite M3x8
	264	04S40075G19	Wash,4.1x6.5x0.5
H3	265	03C42723U01	Scr,Cup M3x6
E2	266	03S40011G42	xScr,Mch M3x5
B6	267	03S44205G46	Scr,Taptite M3x6 TRS
C7	268	03S44205G50	Scr,T-Tite M3x6 FLT
C6,C7	269	03S44205G40	Scr,T-Tite M3x4
C3,A2	270	03S40036U01	Scr,T-Tite M4x8
C1	271	03S44205G02	Scr,T-Tite M3x6
H7,F7	272	03S44205G01	Scr,T-Tite M3x6
F6	273	03S44205G17	Scr,T-Tite M4x6
C6	274	03S40012G48	Scr,Tpg.M3x6
	275	03C40014G10	Scr,Mch M3x8
F7	276	03S44205G01	Scr,T-Tite M3x6
G7,G6	277	03S44205G25	Scr,T-Tite M4x10

RX-103

Remarks

(U) 120V for USA, Canada.
 (AK) . . . 220V (With Line Voltage Selector)
 for Europe, South-East Asia.

Capacitor:

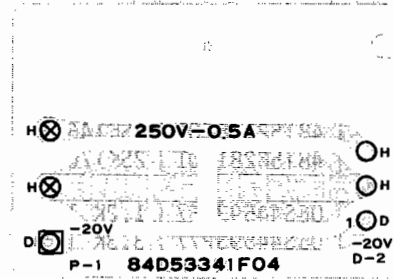
El . . . Electrolytic, Ce . . . Ceramic, My . . . Mylar, Mi . . . Mica,
 Pe . . . Polyethelen, Po . . . Polystyrene, Pp . . . Polyproplene,
 LR . . . Low Leak, BP . . . Bi-Polar.

Resistor:

Rd . . . Carbon, Rm . . . Metal Film, Rc . . . Cement.

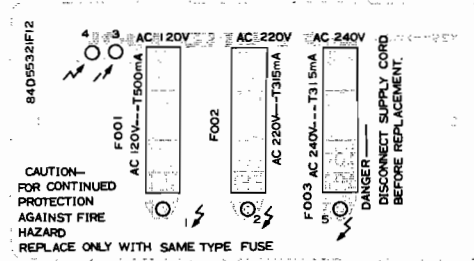
FL Fuse PCB Parts List (U Only)

Symbol No.	Stock No.	Description
(Holder, Fuse)		
	09T51960F01	YSH-401T
(Fuse)		
F200	65T52486F13	MF61NM 0.5-250



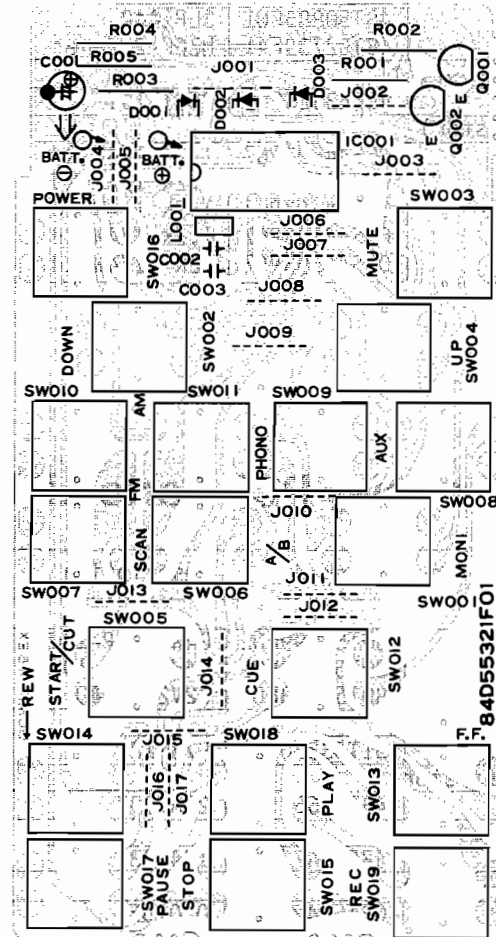
AC Fuse PCB Parts List (AK Only)

Symbol No.	Stock No.	Description
(Holder, Fuse)		
	09T51410F01	SEMKO (AK)
(Fuse)		
F002	65T42077U11	T315mA (AK)



Transmitter PCB Parts List

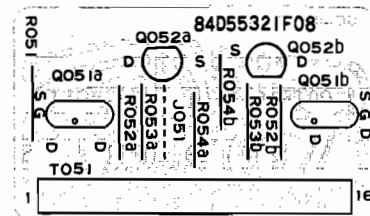
Symbol No.	Stock No.	Description
(Switch)		
SW001	40T52951F01	KHC 10901
SW002	40T52951F01	KHC 10901
SW003	40T52951F01	KHC 10901
SW004	40T52951F01	KHC 10901
SW005	40T52951F01	KHC 10901
SW006	40T52951F01	KHC 10901
SW007	40T52951F01	KHC 10901
SW008	40T52951F01	KHC 10901
SW009	40T52951F01	KHC 10901
SW010	40T52951F01	KHC 10901
SW011	40T52951F01	KHC 10901
SW012	40T52951F01	KHC 10901
SW013	40T52951F01	KHC 10901
SW014	40T52951F01	KHC 10901
SW015	40T52951F01	KHC 10901
SW016	40T52951F01	KHC 10901
SW017	40T52951F01	KHC 10901
SW018	40T52951F01	KHC 10901
SW019	40T55313F01	Tact KHE 1091
(Resonator)		
L001	91T55305F01	Cer. CSB455A
(IC)		
IC001	51T55312F01	M58484P
(LED)		
D001	48T56277F01	PR2434D
D002	48T51508F01	IR SE303A
D003	48T51508F01	IR SE303A
(Transistor)		
Q001	48T51091F01	2SC2021R,S
Q002	48T43015U01	2SC2120Y
(Capacitor)		
C001	23T51234F36	47uF 10V E1
C002	21S40655F17	33pF Ce
C003	21S40655F17	33pF Ce
(Resistor)		
R001	06S44593P09	4.7 1/4W Rd
R002	06S44593P49	220 1/4W Rd
R003	06S44593P09	4.7 1/4W Rd
R004	06S44593P01	2.2 1/4W Rd
R005	06S44593P01	2.2 1/4W Rd



RX-103

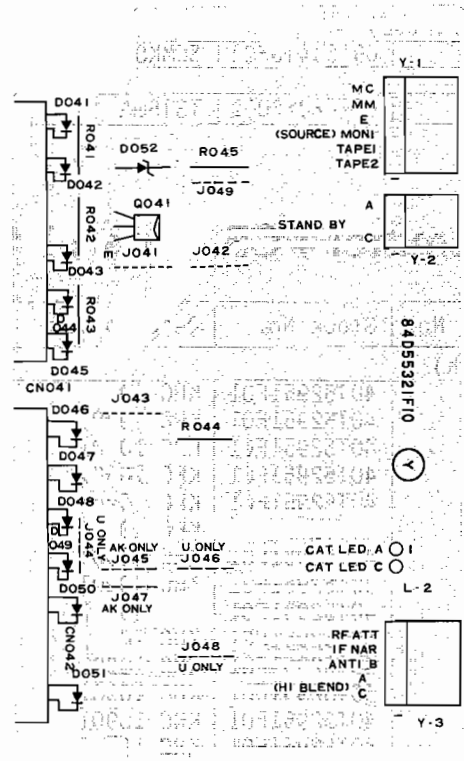
MC Amp PCB Parts List

Symbol No.	Stock No.	Description
(FET)		
Q051ab	48T52146F01	2SK146 BL
Q052ab	48T56281F01	2SK170 BL
(Resistor)		
R051	06S44593P67	1.2K 1/4W Rd
R052a,b	06S44593P77	3.3K 1/4W Rd
R053a,b	06S44593P69	1.5K 1/4W Rd
R054a,b	06S44593P51	270 1/4W Rd



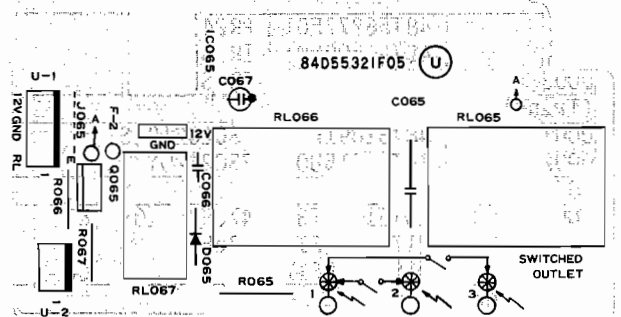
Display PCB Parts List

Symbol No.	Stock No.	Description
(LED,Zener Diode)		
D041	48T50885F01	SLP144B
D042	48T50885F01	SLP144B
D043	48T50885F01	SLP144B
D044	48T50885F01	SLP144B
D045	48T50885F01	SLP144B
D046	48T50885F01	SLP144B
D047	48T50885F01	SLP144B
D048	48T50885F01	SLP144B
D049	48T50885F01	SLP144B
D050	48T50885F01	SLP144B
D051	48T50885F01	SLP144B
D052	48T52739F41	HZ6C-2 Zener
(Transistor)		
Q041	48S43525F02	2SC1815Y
(Resistor)		
R041	06S44593P67	1.2K 1/4W Rd
R042	06S44593P67	1.2K 1/4W Rd
R043	06S44593P67	1.2K 1/4W Rd
R044	06S44593P67	1.2K 1/4W Rd
R045	06S44593P97	22K 1/4W Rd



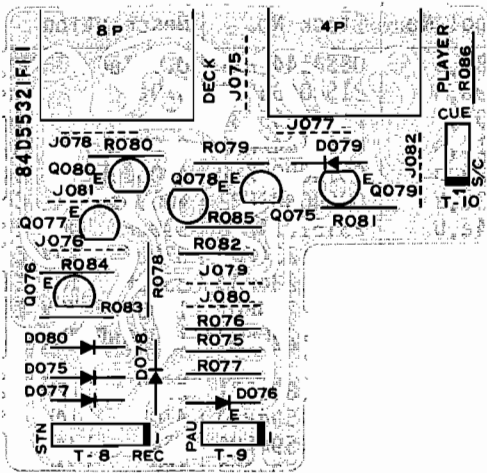
Power Relay PCB Parts List

Symbol No.	Stock No.	Description
(Relay)		
RL065	80T55299F01	G4W1112P-1001M
RL066	80T55299F01	G4W1112P-1001M
RL067	80T55298F01	G2V2-1004D
(IC)		
IC065	51T53320F01	L78M12
(Transistor)		
Q065	48T44652P01	2SA490Y
(Diode)		
D065	48S40477U01	IN4003
(Capacitor)		
C065	08T57437F09	0.01uF Ce
C066	08S40805F15	4700pF Ce
C067	23T51235F05	2.2uF 50V E1
(Resistor)		
R065	06D40802G44	2.2M 1/2W Rd
R066	06S44593P65	1K 1/4W Rd
R067	06S44593P65	1K 1/4W Rd



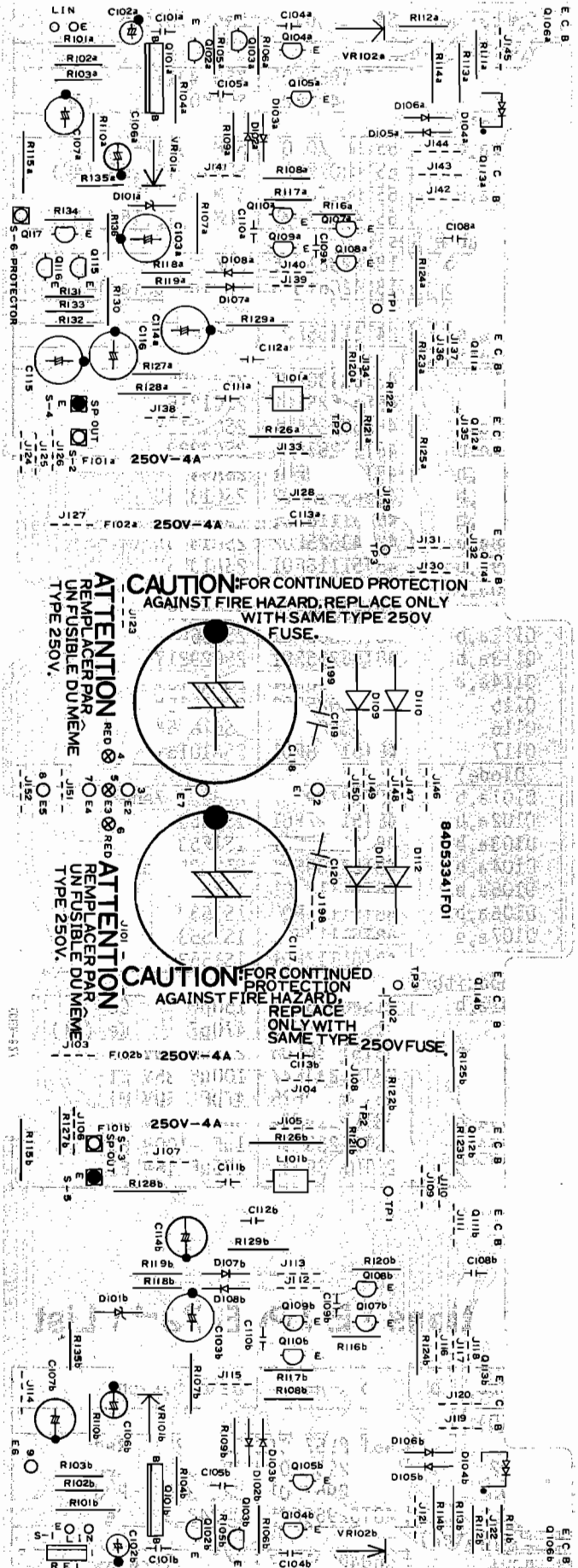
RX-103

Remote Control PCB Parts List



Symbol No.	Stock No.	Description
(Jack)		
Deck	09T50261F01	CONT
Player	09T56274F01	DIN 4p 4640-01A
(Transistor)		
Q075	48S43525F02	2SC1815Y
Q076	48S43525F02	2SC1815Y
Q077	48S43525F02	2SC1815Y
Q078	48S43525F02	2SC1815Y
Q079	48S43525F02	2SC1815Y
Q080	48S43525F02	2SC1815Y
(Diode)		
D075	48T51582F01	MA-150
D076	48T51582F01	MA-150
D077	48T51582F01	MA-150
D078	48T51582F01	MA-150
D080	48T51582F01	MA-150
(Resistor)		
R075	06S44593P97	22K 1/4w Rd
R076	06S44593P97	22K 1/4w Rd
R077	06S44593P97	22K 1/4w Rd
R078	06S44593P97	22K 1/4w Rd
R079	06S44593P97	22K 1/4w Rd
R080	Non Use	
R081	Non Use	
R082	Non Use	
R083	Non Use	
R084	Non Use	
R085	Non Use	
R086	06S44593P65	1K 1/4w Rd
(Capacitor)		
R080	23D44333G01	1uF 50V E1
R081	23D44333G01	1uF 50V E1
R082	23D44333G01	1uF 50V E1
R083	23D44333G01	1uF 50V E1
R084	23D44333G01	1uF 50V E1
R085	23D44333G01	1uF 50V E1

Power Amp PCB



RX-103

Power Amp PCB Parts List

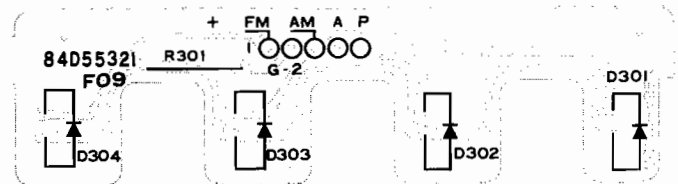
Symbol No.	Stock No.	Description
(Holder, Fuse)		
	09T51960F01	YSH-401T
	09T51410F01	SEMKO (AK)
(Fuse)		
F101a,b	65T56270F01	61ML 6-125
	65T42077U21	SEMKO T3.15A (AK)
F102a,b	65T56270F01	61ML 6-125
	65T42077U21	SEMKO T3.15A (AK)
(Variable Resistor)		
VR101a,b	18C42061J15	50K
VR102a,b	18C42061J23	Solid Variable
(Coil)		
L101a,b	24T51105F01	Choke
(Transistor)		
Q101a,b	48T53430F01	2SA979G
Q102a,b	48S43525F02	2SC1815Y
Q103a,b	48S53525F02	2SC1815Y
Q104a,b	48T53297F01	2SC2229
Q105a,b	48T53298F01	2SA949
Q106a,b	48S43525F02	2SC1815Y
Q107a,b	48T51118F01	2SA1015Y
Q108a,b	48S43525F02	2SC1815Y
Q109a,b	48T51118F01	2SA1015Y
Q110a,b	48S43525F02	2SC1815Y
Q111a,b	48T53305F01	2SC2238
Q112a,b	48T53306F01	2SA968
Q113a,b	48T55295F01	2SC2921Y
Q114a,b	48T55296F01	2SA1215Y
Q115	48S43525F02	2SC1815Y
Q116	48S43525F02	2SC1815Y
Q117	48T51118F01	2SA1015Y
(Diode)		
D101a,b	48T52739F97	HZ30-1 Zener
D102a,b	48T51117F01	1S1553
D103a,b	48T51117F01	1S1553
D104a,b	48T53389F01	STV-2H Varistor
D105a,b	48T51117F01	1S1553
D106a,b	48T51117F01	1S1553
D107a,b	48T51117F01	1S1553
D108a,b	48T51117F01	1S1553
(Capacitor)		
C101a,b	21S40655F25	150pF Ce
	21S40655F30	470pF Ce (AK)
C102a,b	23T51236F06	2.2uF 50V E1
C103a,b	23T51234F47	100uF 35V E1
C104a,b	08T55119F25	47pF 50V Mi
C105a,b	08T55119F04	5pF 50V Mi
C106a,b	23T51235F04	1uF 100V E1
C107a,b	23T51235F44	100uF 16V E1

Symbol No.	Stock No.	Description
C108a,b	08S41442F21	0.047uF My
C109a,b	21S40655F30	470pF Ce
C110a,b	21S40655F30	470pF Ce
C111a,b	08S41442F22	0.056uF My
C112a,b	08S40805F22	40000pF Ce
C113a,b	08S40805F22	40000pF Ce
C114a,b	23T51234F50	100uF 100V E1
C115	23T51234F60	330uF 10V E1
C116	23T51234F60	330uF 10V E1
C117	23T55290F02	10000uF 75V E1
C118	23T55290F02	10000uF 75V E1
(Resistor)		
R101a,b	06D40801G71	2.2K 1/2W Rd
R102a,b	06S44594P30	470K 1/4W Rd
R103a,b	06S44594P06	47K 1/4W Rd
R104a,b	06S44593P93	15K 1/4W Rd
R105a,b	06S44593P53	330 1/4W Rd
R106a,b	06S44593P53	330 1/4W Rd
R107a,b	06T55175F75	2.7K 1/2W Rf
R108a,b	06T55175F41	100 1/2W Rf
R109a,b	06S44594P06	47K 1/4W Rd
R110a,b	06S44593P57	470 1/4W Rd
R111a,b	06S44593P67	1.2K 1/4W Rd
R112a,b	06S44593P65	1K 1/4W Rd
R113a,b	06T55175F33	47 1/2W Rf
R114a,b	06T55175F33	47 1/2W Rf
R115a,b	06D40801G89	12K 1/2W Rd
R116a,b	06S44593P85	6.8K 1/4W Rd
R117a,b	06S44593P85	6.8K 1/4W Rd
R118a,b	06S44593P93	15K 1/4W Rd
R119a,b	06S44593P93	15K 1/4W Rd
R120a,b	06S44593P57	470 1/4W Rd
R121a,b	06S44593P57	470 1/4W Rd
R122a,b	06T51107F01	Rc
R123a,b	06T55175F45	150 1/2W Rf
R124		Non Use
R125a,b	06T55175F09	4.7 1/2W Rf
R126a,b	06T55177F01	2.2 1W Rf
R127a,b	06S44593P93	15K 1/4W Rd
R128a,b	06T55177F13	6.8 1W Rf
R129a,b	06T55175F41	100 1/2W Rf
R130	06S44593P65	1K 1/4W Rd
R131	06S44593P93	15K 1/4W Rd
R132	06S44593P65	1K 1/4W Rd
R133	06S44593P87	8.2K 1/4W Rd
R134	06S44593P79	3.9K 1/4W Rd
R135a,b	06S44593P39	82 1/4W Rd
R136	06S44593P91	12K 1/4W Rd

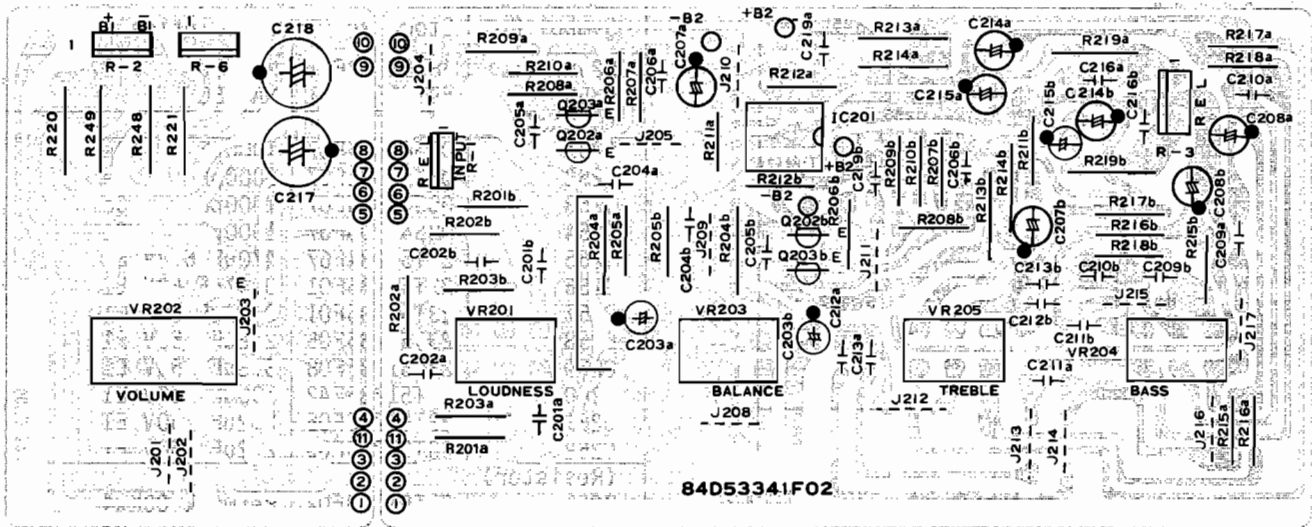
RX-103

Functions LED PCB Parts List

Symbol No.	Stock No.	Description
(LED)		
D301	48T52953F01	BR3432S Red
D302	48T52953F01	BR3432S Red
D303	48T52953F01	BR3432S Red
D304	48T52953F01	BR3432S Red
(Resistor)		
R301	06D40801G57	560 1/2W Rd



Tone Control PCB Parts List

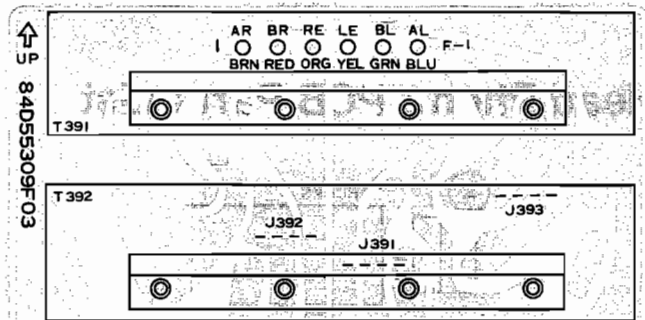


Symbol No.	Stock No.	Description
(Variable Resistor, Rotary)		
VR201	18T53213F02	100KAx2
VR202	18T53214F01	100KBx2
VR203	18T53213F03	250KMN
VR204	18T53213F01	50KCx2
VR205	18T53213F01	50KCx2
(IC)		
IC201	51T53311F01	4562
(Transistor)		
Q201	Non Use	
Q202 a,b	48T53301F01	2SC2240
Q203 a,b	48T53301F01	2SC2240
(Capacitor)		
C201 a,b	08S40656F04	0.0018uF My
C202 a,b	08S40656F19	0.033uF My
C203 a,b	23T51236F07	3.3uF 50V E1
C204 a,b	21S40655F26	180pF Ce
C205	Non Use	
C206 a,b	21S40655F30	470pF Ce
C207 a,b	23T51235F11	4.7uF 25V E1
C208 a,b	23T51235F24	22uF 16V E1
C209 a,b	08S40767F19	0.033uF My
C210 a,b	08S40656F11	0.0068uF My
C211 a,b	08S40656F23	0.068uF My
C212 a,b	08S40656F17	0.022uF My
C213 a,b	08S40656F08	0.0039uF My
C214 a,b	23T51236F08	4.7uF 25V E1
C215 a,b	23T51236F08	4.7uF 25V E1
C216 a,b	21S40655F31	560pF Ce

Symbol no.	Stock No.	Description
C217	23T51234F54	220uF 25V E1
C218	23T51234F54	220uF 25V E1
C219 a,b	21S40655F23	100pF Ce
(Resistor)		
R201 a,b	06S44593P71	1.8K 1/4W Rd
R202 a,b	06S44593P83	5.6K 1/4W Rd
R203 a,b	06S44593P81	4.7K 1/4W Rd
R204 a,b	06D40801G71	2.2K 1/2W Rd
R205 a,b	06S44594P30	470K 1/4W Rd
R206 a,b	06S44593P85	6.8K 1/4W Rd
R207 a,b	06S44593P53	330 1/4W Rd
R208 a,b	06S44593P59	560 1/4W Rd
R209 a,b	06S44593P91	12K 1/4W Rd
R210 a,b	06S44593P91	12K 1/4W Rd
R211 a,b	06S44593P87	8.2K 1/4W Rd
R212 a,b	06S44594P26	330K 1/4W Rd
R213 a,b	06D40801G33	56 1/2W Rd
	06S44593P35	56 1/4W Rd
R214 a,b	06D40802G04	47K 1/2W Rd
R215 a,b	06S44593P69	1.5K 1/4W Rd
R216 a,b	06S4459P53	330 1/4W Rd
R217 a,b	06S44593P71	1.8K 1/4W Rd
R218 a,b	06S44593P87	8.2K 1/4W Rd
R219 a,b	06S44593P57	470 1/4W Rd
R220	06T55175F61	680 1/2W Rf
R221	06T55175F61	680 1/2W Rf
R248	06T55175F45	150 1/2W Rf
R249	06T55175F45	150 1/2W Rf

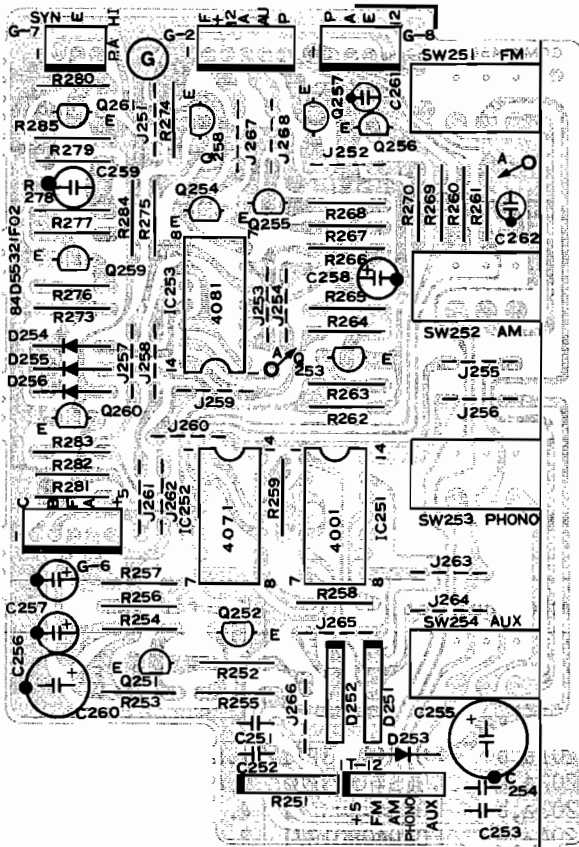
Speaker Terminal PCB Parts List

Symbol No.	Stock No.	Description
(Terminal, Speaker)		
T391	09T55292F01	Terminal, SP
T392	09T55292F01	Terminal, SP



RX-103

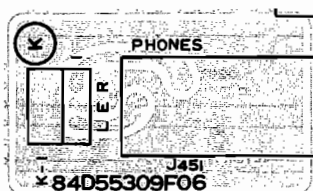
Function SW PCB Parts List



Symbol No.	Stock No.	Description
(Switch, Push)		
SW251-254	40T55301F01	SUL-4I1A
(IC)		
IC251	51T56272F01	TC4001 BP
IC252	48T57550F01	TC4071
IC253	51T56684F01	TC4081 BP
(Transistor)		
Q251	48S43525F02	2SC1815Y
Q252	48S43525F02	2SC1815Y
Q253	48S43525F02	2SC1815Y
Q254	48S43525F02	2SC1815Y
Q255	48S43525F02	2SC1815Y
Q256	48S43525F02	2SC1815Y
Q257	48S43525F02	2SC1815Y
Q258	48S43525F02	2SC1815Y
Q259	48S43525F02	2SC1815Y
Q260	48S43525F02	2SC1815Y
Q261	48T51118F01	2SA1015Y
(Diode)		
D251	51T56685F01	DAN401 Network
D252	51T56685F01	DAN401 Network
D253	48T51582F01	MA 150
D254	48T51582F01	MA 150

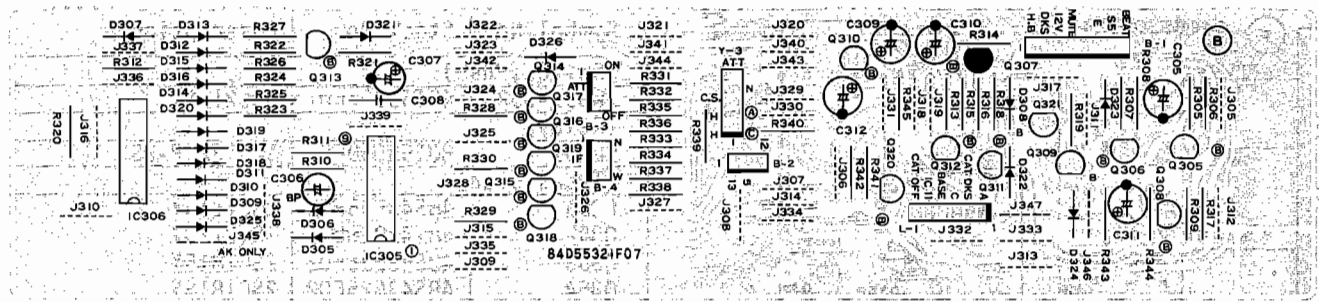
Symbol No.	Stock No.	Description
D255	48T51582F01	MA 150
D256	48T51582F01	MA 150
(Capacitor)		
C251	08S40805F07	1000pF Ce
C252	08S40805F07	1000pF Ce
C253	08S40805F07	1000pF Ce
C254	08S40805F07	1000pF Ce
C255	23T51234F67	470uF 6.3V E1
C256	23T51235F01	0.47uF 50V E1
C257	23T51235F01	0.47uF 50V E1
C258	23T51235F05	2.2uF 50V E1
C259	23T51235F08	3.3uF 50V E1
C260	23T51235F43	100uF 10V E1
C261	23T51235F05	2.2uF 50V E1
C262	23T51235F05	2.2uF 50V E1
(Resistor)		
R251	51T51133F02	Network 00Kx4
R252	06S44593P97	22K 1/4W Rd
R253	06S44594P06	47K 1/4W Rd
R254	06S44593P41	100 1/4W Rd
R255	06S44593P97	22K 1/4W Rd
R256	06S44594P06	47K 1/4W Rd
R257	06S44593P41	100 1/4W Rd
R268	06S44594P30	470K 1/4W Rd
R259	06S44594P30	470K 1/4W Rd
R260	06S44593P97	22K 1/4W Rd
R261	06S44593P93	15K 1/4W Rd (AK)
	06S44593P93	15K 1/4W Rd (AK)
R262	06S44594P06	47K 1/4W Rd
R263	06S44594P06	47K 1/4W Rd
R264	06S44594P14	100K 1/4W Rd
R265	06S44593P41	100 1/4W Rd
R266	06S44594P06	47K 1/4W Rd
R267	06S44593P95	18K 1/4W Rd
R268	06S44593P95	18K 1/4W Rd
R269	06S44593P95	18K 1/4W Rd
R270	06S44593P95	18K 1/4W Rd
R271		Non Use
R272		Non Use
R273	06S44594P14	100K 1/4W Rd
R274	06S44593P69	1.5K 1/4W Rd
R275	06S44594P02	33K 1/4W Rd
R276	06S44594P06	47K 1/4W Rd
R277	06S44594P06	47K 1/4W Rd
R278	06S44593P41	100 1/4W Rd
R279	06S44594P02	33K 1/4W Rd
R280	06S44593P91	12K 1/4W Rd
R281	06S44594P14	100K 1/4W Rd
R282	06S44594P14	100K 1/4W Rd
R283	06S44594P06	47K 1/4W Rd
R284	06S44594P06	47K 1/4W Rd
R285	06S44594P14	100K 1/4W Rd

Head Phone PCB Parts List



Symbol No.	Stock No.	Description
(Jack, Head Phone)		
J451	09T56010F01	M1669

Full CAT PCB Parts List

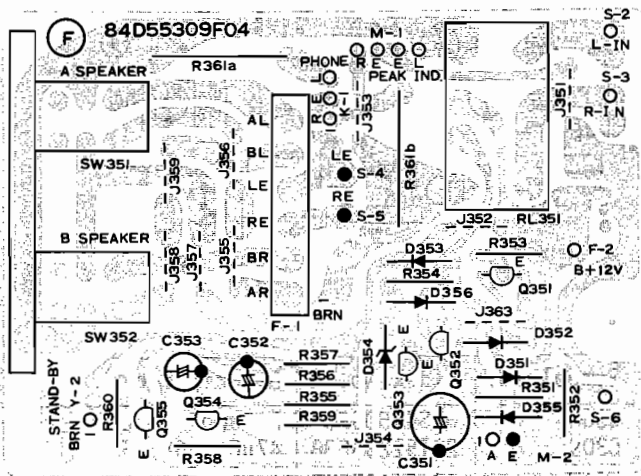


Symbol No.	Stock No.	Description
(IC)		
IC305	51T47655F01	TC4049BP
IC306	51T53403F01	TC4017
(Transistor)		
Q305	48T55181F01	2SC1740R,S
Q306	48T55181F01	2SC1740R,S
Q307	48T51118F01	2SA1015Y
Q308	48T55181F01	2SC1740R,S
Q309	48T55181F01	2SC1740R,S
Q310	48T56278F01	2SC3068
Q311	48T55181F01	2SC1740R,S
Q312	48T55181F01	2SC1740R,S
Q313	48T55181F01	2SC1740R,S
Q314	48T55181F01	2SC1740R,S
Q315	48T55181F01	2SC1740R,S
Q316	48T55181F01	2SC1740R,S
Q317	48T55181F01	2SC1740R,S
Q318	48T55181F01	2SC1740R,S
Q319	48T55181F01	2SC1740R,S
Q320	48T55181F01	2SC1740R,S
Q321	48T55181F01	2SC1740R,S
(Diode)		
D305	48T51582F01	MA-150
	Non Use	(AK)
D306	48T51582F01	MA-150
D307	48T51582F01	MA-150
D308	48T51582F01	MA-150
D309	48T51582F01	MA-150
D310	48T51582F01	MA-150
D311	48T51582F01	MA-150
D312	48T51582F01	MA-150
D313	48T51582F01	MA-150
D314	48T51582F01	MA-150
D315	48T51582F01	MA-150
D316	48T51582F01	MA-150
D317	48T51582F01	MA-150
D318	48T51582F01	MA-150
D319	48T51582F01	MA-150
D320	48T51582F01	MA-150
D321	48T51582F01	MA-150
D322	48T51582F01	MA-150
D323	48T51582F01	MA-150
D324	48T51582F01	MA-150
D325	48T51582F01	MA-150
D326	48T51582F01	MA-150
(Capacitor)		
C305	23T51235F13	4.7uF 50V E1
C306	23T42477F15	0.47uF 50V BP E1
C307	23T51235F16	10uF 16V E1

Symbol No.	Stock No.	Description
C308	08S44505P63	22000pF Ce
C309	23T51235F38	47uF 16V E1
C310	23T51235F16	10uF 16V E1
C311	23T51235F08	3.3uF 50V E1
C312	23T51235F16	10uF 16V E1
(Resistor)		
R305	06S44593P77	3.3K 1/4W Rd
R306	06S44594P06	47K 1/4W Rd
	06S44593P89	10K 1/4W Rd (AK)
R307	06S44594P06	47K 1/4W Rd
	06S44593P97	22K 1/4W Rd (AK)
R308	06S44594P22	220K 1/4W Rd
R309	06S44593P97	22K 1/4W Rd
R310	06S44594P08	56K 1/4W Rd
R311	06S44593P77	3.3K 1/4W Rd
R312	06S44594P14	100K 1/4W Rd
R313	06S44593P81	4.7K 1/4W Rd
R314	06S44593P89	10K 1/4W Rd
R315	06S44593P97	22K 1/4W Rd
R316	06S44593P89	10K 1/4W Rd
R317	06S44593P89	10K 1/4W Rd
R318	06S44594P06	47K 1/4W Rd
R319	06S44594P06	47K 1/4W Rd
R320	06S44594P14	100K 1/4W Rd
R321	06S44594P06	47K 1/4W Rd
R322	06S44593P89	10K 1/4W Rd
R323	06S44593P89	10K 1/4W Rd
R324	06S44593P89	10K 1/4W Rd
R325	06S44594P14	100K 1/4W Rd
R326	06S44593P14	100k 1/4W Rd
R327	06S44593P14	100k 1/4W Rd
R328	06S44593P89	10K 1/4W Rd
R329	06S44593P89	10K 1/4W Rd
R330	06S44593P89	10K 1/4W Rd
R331	06S44593P89	10K 1/4W Rd
R332	06S44593P89	10K 1/4W Rd
R333	06S44593P89	10K 1/4W Rd
R334	06S44593P89	10K 1/4W Rd
R335	06S44593P89	10K 1/4W Rd
R336	06S44593P89	10K 1/4W Rd
R337	06S44593P67	1.2K 1/4W Rd
R338	06S44593P67	1.2K 1/4W Rd
R339	06S44593P67	1.2K 1/4W Rd
R340	06S44593P93	15K 1/4W Rd
R341	06S44593P97	22K 1/4W Rd
R342	06S44593P67	1.2K 1/4W Rd
R343	06S44593P93	15K 1/4W Rd
R344	06S44593P67	1.2K 1/4W Rd
R345	06S44593P77	3.3K 1/4W Rd

RX-103

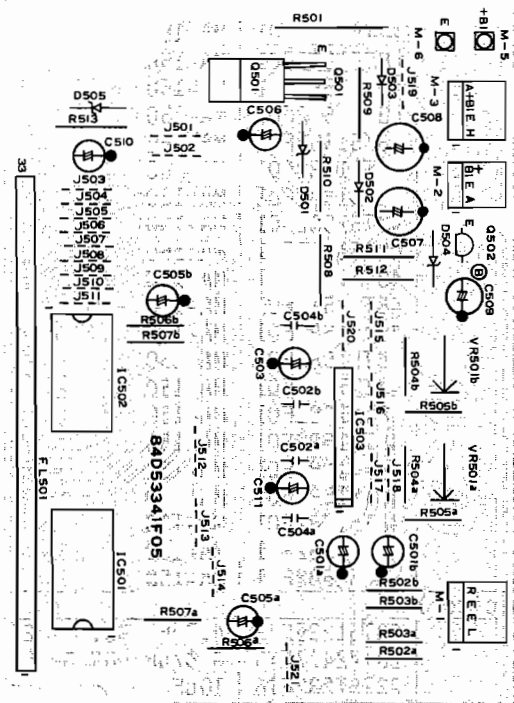
Speaker SW PCB Parts List



Symbol No.	Stock No.	Description
(Switch, Push)		
SW351-352	40T53207F01	SUL211S
(Relay)		
RL351	80T53350F01	G2Z-222P-US
(Transistor)		
Q351	48S43525F02	2SC1815Y
Q352	48T43015U01	2SC2120Y
Q353	48S43525F02	2SC1815Y
Q354	48S43525F02	2SC1815Y
Q355	48S43525F02	2SC1815Y
(Diode)		
D351	48T51582F01	MA-150
D352	48T51582F01	MA-150
D353	48S40477U01	1N4003
D354	48T52739F41	HZ6C-2 Zener
D355	48T51582F01	MA-150
D356	48T51582F01	MA-150
(Capacitor)		
C351	23T51235F43	100uF 10V E1
C352	23T51235F31	33uF 16V E1
C353	23T51235F31	33uF 16V E1
(Resistor)		
R351	06S44594P14	100K 1/4W Rd
R352	06S44593P89	10K 1/4W Rd
R353	06S44593P77	3.3K 1/4W Rd
R354	06S44593P85	6.8K 1/4W Rd
R355	06S44593P79	3.9K 1/4W Rd
R356	06S44593P97	22K 1/4W Rd
R357	06S44593P95	18K 1/4W Rd
R358	06S44594P38	1M 1/4W Rd
R359	06S44594P38	1M 1/4W Rd
R360	06S44593P65	1K 1/4W Rd
R361a,b	06T55179F53	330 2W Rf

FL Peak Ind. PCB Parts List

Symbol No.	Stock No.	Description
(FL Meter)		
FL501	65T55324F01	FIP12BW7YS
(IC)		
IC501	51T53312F01	HA12010
IC502	51T53312F01	HA12010
IC503	51T53313F01	TA7318P-1
(Transistor)		
Q501	48T42620F02	2SD880Y
Q502	48S43525F02	2SC1815Y
(Diode)		
D501	48T52739F84	HZ18-3 Zener
D502	48S40477U01	1N4003
D503	48S40477U01	1N4003
D504	48T52739F68	HZ11C-2 Zener
D505	48T52741F45	HZ12C-3L Zener
(Variable Resistor)		
VR501a,b	18T52946F05	470
(Capacitor)		
C501a,b	23T51236F01	0.1uF 50V E1
C502a,b	08S41442F07	0.0033uF My
C503	23T51235F39	47uF 25V E1
C504a,b	21C45322G33	0.047uF Ce
C505	Non Use	
C506	23T51235F32	33uF 25V E1
C507	23T51234F48	100uF 50V E1
C508	23T51234F48	100uF 50V E1
C509	23T51235F16	10uF 16V E1
C510	23T51235F16	10uF 16V E1
C511	23T51235F01	0.47uF 50V E1
(Resistor)		
R501	06T55179F51	270 2W Rf
R502a,b	06S44594P06	47K 1/4W Rd
R503a,b	06S44593P89	10K 1/4W Rd
R504a,b	06S44593P61	680 1/4W Rd
R505a,b	06S44593P63	820 1/4W Rd
R506	Non Use	
R507	Non Use	
R508	06T55175F45	150 1/2W Rf
R509	06T55175F41	100 1/2W Rf
R510	06T55175F69	1.5K 1/2W Rf
R511	06T55175F45	150 1/2W Rf
R512	06D40801G75	3.3K 1/2W Rd
R513	06D40801G75	3.3K 1/2W Rd



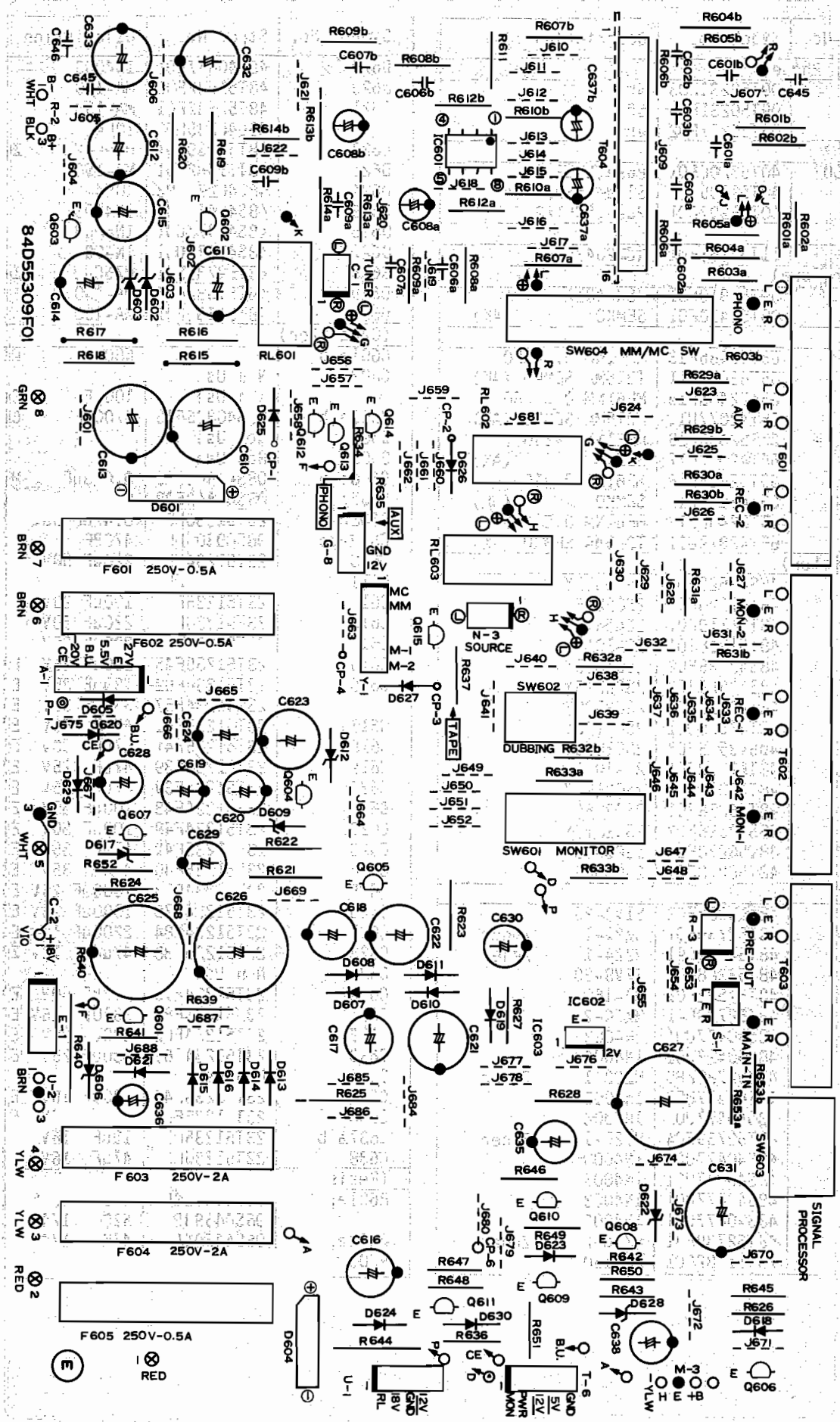
RX-103

RX-103

Symbol No.	Stock No.	Description
(Transistor)		
Q551	48T51090F02	2SC1545B
Q552	48T51091F01	2SC2021R,S
Q553	48T51091F01	2SC2021R,S
Q554	48T51091F01	2SC2021R,S
Q555	48T51089F01	2SA937Q,R
Q556	48T52089F01	2SA937Q,R
Q557	Non Use	
Q558	48T51089F01	2SA937Q,R
Q559	48T51089F01	2SA937Q,R
Q560	48T51089F01	2SA937Q,R
Q561	48T51089F01	2SA937Q,R
Q562	48T51089F01	2SA937Q,R
Q563	48T51089F01	2SA937Q,R
Q564	48T51089F01	2SA937Q,R
(Crystal)		
X551	48T55072F01	4.5MHZ-M
(Diode)		
D551	48T51582F01	MA-150
D552	Non Use	
D553	Non Use	
D554	48T51582F01	MA-150
D555	48T51582F01	MA-150
D556	48T51582F01	MA-150
D557	Non Use	
D558	Non Use	
D559	Non Use	
D560	48T51582F01	MA-150
D561	48T51582F01	MA-150
D562	48T51582F01	MA-150
D563	48T51582F01	MA-150
D564	48T51582F01	MA-150
D565	48T51582F01	MA-150
D566	48T51582F01	MA-150
D567	48T51582F01	MA-150
D568	48T51582F01	MA-150
D569	48T51582F01	MA-150
D570	48T51582F01	MA-150
D571	48T51582F01	MA-150
D572	Non Use	
	48T51582F01	MA-150 (AK)
D573	Non Use	
D574	48T51582F01	MA-150
D575	48T51582F01	MA-150
D576	Non Use	
D577	48T51582F01	MA-150
D578	48T51582F01	MA-150
D579	48T51582F01	MA-150
(Capacitor)		
C551	08S44505P63	22000PF Ce
C552	08S44505P63	22000PF Ce
C553	08s40805F22	40000PF Ce
C554	23T51235F31	33uF 16V E1
C555	21S40655F11	10PF Ce
C556	08S44505P41	220PF Ce
C557	08S44505P63	22000PF Ce
C558	23T51235F24	22uF 16V E1
C559	08S40805F21	22000PF Ce
C560	23T51235F13	4.7uF 50V E1

Symbol No.	Stock No.	Description
C561	23T51235F01	0.47uF 50V E1
C562	23T51235F01	0.47uF 50V E1
C563	08S40805F21	22000PF Ce
C564	23T51235F13	4.7uF 50V E1
C565	08S40805F22	40000PF Ce
C566	23T51235F41	47uF 50V E1
C567	23T51235F25	22uF 25V E1
C568	21S40655F15	22PF Ce
C569	21S40655F15	22PF Ce
C570	08S40805F22	40000PF Ce
C571	23T51234F67	470uF 6.3V E1
C572	Non Use	
C573	Non Use	
C574	23T51235F13	4.7uF 50V E1
C575	23T51235F41	47uF 50V E1
C576	23T51235F31	33uF 16V E1
C577	23T51235F31	33uF 16V E1
C578	08S40805F22	40000PF Ce
C579	08T44979P14	100000PF Ce
C580	21C45322G28	1000pF 50V Ce
C581	08T44979P14	100000PF Ce
(Resistor)		
R551	06S44594P22	220K 1/4W Rd
R552	06S44593P81	4.7K 1/4W Rd
R553	06S44593P65	1K 1/4W Rd
R554	06S44593P89	10K 1/4W Rd
R555	06S44593P65	1K 1/4W Rd
R556	06S44593P59	560 1/4W Rd
R557	06S44593P81	4.7K 1/4W Rd
R558	06S44593P89	10K 1/4W Rd
R559	06S44593P41	100 1/4W Rd
R560	Non Use	
R561	Non Use	
R562	Non Use	
R563	06S44594P06	47K 1/4W Rd
R564	Non Use	
R565	Non Use	
R566	51T51133F01	Network
R567	51T51133F02	Network 100Kx4
R568	Non Use	
R569	Non Use	
R570	Non Use	
R571	06S44594P06	47K 1/4W Rd
R572	Non Use	
R573	06S44593P97	22K 1/4W Rd
R574	06S44593P97	22K 1/4W Rd
R575	06S44593P97	22K 1/4W Rd
R576	06S44593P97	22K 1/4W Rd
R577	06S44593P97	22K 1/4W Rd
R578	06S44593P97	22K 1/4W Rd
R579	51T51133F03	Network 10Kx7
R580	51T51133F01	Network
R581	51T51133F01	Network
R582	06S44593P97	22K 1/4W Rd
R583	06S44593P97	22K 1/4W Rd
R584	06S44594P14	100K 1/4W Rd
R585	06S44594P14	100K 1/4W Rd
R586	06S44594P06	47K 1/4W Rd

Power Supply PCB



84D55309FO1

RX-103

Power PCB Parts List

Symbol No.	Stock No.	Description
(Plate, Phone)		
T601	09T50231F03	6P
T602	09T50231F03	6P
T603	09T50231F02	4P
(Switch)		
SW601-602	40T53206F01	Push,SUL232A
SW603	40T53205F01	Slide,SSP32204
SW604	40T55297F01	Push,SUL192A
(IC)		
IC601	51T52153F01	NJM2043D-D
(Holder,Fuse)		
	09T51960F01	YSH-401T
	09T51410F01	SEMKO (AK)
(Fuse)		
F601	65T52486F13	MF61NM 0.5-250
	65T42077U11	T315MA SEMKO (AK)
F602	65T52486F13	MF61NM 0.5-250
	65T42077U11	T315MA SEMKO (AK)
F603	65T52486F18	MF61NM 2-250
	65T42077U17	SEMKO (AK)
F604	65T52486F18	MF61NM 2-250
	65T42077U17	SEMKO (AK)
F605	65T52486F13	MF61NM 0.5-250
	65T42077U11	T315MA SEMKO (AK)
(Transistor)		
Q601	48S43525F02	2SC1815Y
Q602	48T51120F01	2SC2235
Q603	48T51119F01	2SA965
Q604	48T51118F01	2SA1015Y
Q605	48S43525F02	2SC1815Y
Q606	48S43525F02	2SC1815Y
Q607	48T43015U01	2SC2120Y
Q608	48T43015U01	2SC2120Y
Q609	48S43525F02	2SC1815Y
Q610	48T51118F01	2SA1015Y
Q611	48T43015U01	2SC2120Y
Q612	48T56278F01	2SC3068
Q613	48S43525F02	2SC1815Y
Q614	48T56278F01	2SC3068
Q615	48T56278F01	2SC3068
(Diode)		
D601	48T53388F01	S1VB-20
D602	48T52739F91	HZ24-1 Zener
D603	48T52739F91	HZ24-1 Zener
D604	48T53388F01	S2VB-20
D605	48T51582F01	MA-150 Zener
D606	48T52739F41	HZ6C-2 Zener
D607	48S40477U01	1N4003
D608	48S40477U01	1N4003
D609	48T52739F88	HZ22-1 Zener
D610	48S40477U01	1N4003
D611	48S40477U01	1N4003
D612	48T52739F94	HZ27-1 Zener
D613	48S40477U01	1N4003
D614	48S40477U01	1N4003
D615	48S40477U01	1N4003
D616	48S40477U01	1N4003
D617	48T52739F41	HZ6C-2 Zener
D618	48T51582F01	MA-150

Symbol No.	Stock No.	Description
D619	48S40477U01	1N4003
D620	48T51582F01	MA-150
D621	48T51582F01	MA-150
	48C40235G03	10E4 (AK)
D622	48T52739F41	HZ6C-2 Zener
D623	48T51582F01	MA-150
D624	48C40235G03	10E4 (AK)
D625	48S40477U01	1N4003
D626	48S40477U01	1N4003
D627	48S40477U01	1N4003
D628	48T52739F41	HZ6C-2 Zener
D629	48T51582F01	MA-150
D630	48T51582F01	MA-150
(Capacitor)		
C601a,b		680 Ce
C602	Non Use	
	Non Use	100pF Ce (AK)
C603a,b	08S40805F15	4700PF Ce
C604	Non Use	
C605	Non Use	
C606a,b	08S41442F15	0.015uF My
C607a,b	08S41442F08	0.0039uF My
C608a,b	23T51236F04	0.47uF 50V E1
C609a,b	08S40805F05	470PF Ce
C610	23T51234F56	220uF 50V E1
C611	23T51234F54	220uF 25V E1
C612	23T51235F45	100uF 25V E1
C613	23T51234F56	220uF 50V E1
C614	23T51234F54	220uF 25V E1
C615	23T51235F45	100uF 25V E1
C616	23T51234F62	330uF 25V E1
	23T51234F63	330uF 35V E1 (AK)
C617	23T51235F41	47uF 50V E1
C618	23T51235F41	47uF 50V E1
C619	23T51235F39	47uF 25V E1
C620	23T51235F39	47uF 25V E1
C621	23T51234F48	100uF 50V E1
C622	23T51234F48	100uF 50V E1
C623	23T51235F40	47uF 35V E1
C624	23T51235F40	47uF 35V E1
C625	23T51234F78	1000uF 25V E1
C626	23T51234F78	1000uF 25V E1
C627	23T51234F84	2200uF 16V E1
C628	23T51235F38	47uF 16V E1
C629	Non Use	
C630	23T51234F13	4.7uF 50V E1
C631	23T51234F89	3300uF 16V E1
C632	23T51234F62	330uF 25V E1
C633	23T51234F62	330uF 25V E1
C634	Non Use	
C635	23T51235F44	100uF 16V E1
C636	23T51235F38	47uF 16V E1
C637a,b	23T51235F16	10uF 16V E1
C638	23T51235F38	47uF 16V E1
(Resistor)		
R601a,b	06D40801G55	470 1/2W Rd
	06S44593P61	680 1/4W Rd (AK)
R602a,b	06S44594P06	47K 1/4W Rd
R603a,b	06S44593P41	100 1/4W Rd

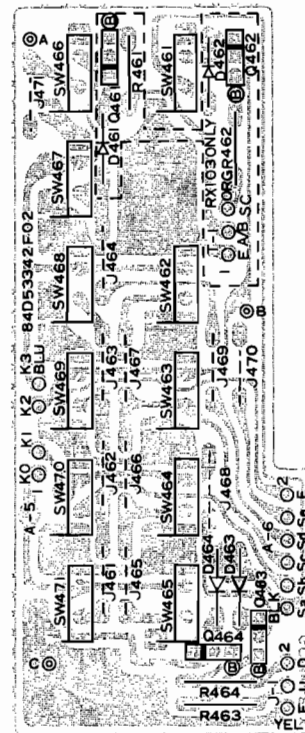
RX-103

Symbol No.	Stock No.	Description
R604a,b	06S44593P25	22 1/4W Rd
R605a,b	06S44593P53	330 1/4W Rd
R606a,b	06S44593P33	47 1/4W Rd
R607a,b	06S44593P61	680 1/4W Rd
R608a,b	06S44594P22	220K 1/4W Rd
R609a,b	06S44593P95	18K 1/4W Rd
R610a,b	06S44594P38	1M 1/4W Rd
R611	06S44593P67	1.2K 1/4W Rd
R612a,b	06S44594P34	680K 1/4W Rd
R613a,b	06S44593P59	560 1/4W Rd
R614a,b	06S44594P26	330K 1/4W Rd
R615	06T55175F29	33 1/2W Rf
R616	06T55175F71	1.8K 1/2W Rf
R617	06T55175F29	33 1/2W Rf
R618	96T55175F71	1.8K 1/2W Rf
R619	06T55175F33	47 1/2W Rf
R620	06T55175F33	47 1/2W Rf
R621	06T55175F53	330 1/2W Rf
R622	06T55175F77	3.3K 1/2W Rf
R623	06S44593P85	6.8K 1/4W Rd
R624	06S40150T33	47 1/4W Rd
R625	06T55175F09	4.7 1/2W Rf
R626	06S44593P93	15K 1/4W Rd
R627	06S44593P73	2.2K 1/4W Rd
R628	06S44593P77	3.3K 1/4W Rd
R629a,b	06S44594P38	1M 1/4W Rd
R630a,b	06S44594P38	1M 1/4W Rd

Symbol No.	Stock No.	Description
R631a,b	06S44594P38	1M 1/4W Rd
R632a,b	06S44594P38	1M 1/4W Rd
R633a,b	06S44594P38	1M 1/4W Rd
R634	06S44593P97	22K 1/4W Rd
	06S44593P73	2.2K 1/4W Rd (AK)
R635	06S44593P97	22K 1/4W Rd
	06S44593P73	2.2K 1/4W Rd (AK)
R636	06S44593P73	2.2K 1/4W Rd
R637	06S44593P97	22K 1/4W Rd
	06S44593P73	2.2K 1/4W Rd (AK)
R638	Non Use	
R639	06S44594P06	47K 1/4W Rd
R640	06T55177F21	15 1W Rf
R641	06S44594P22	220K 1/4W Rd
R642	06S40150T41	100 1/4W Rd
R643	06S44593P97	22K 1/4W Rd
R644	06T55175F09	4.7 1/2W Rf
R645	06S44593P85	6.8K 1/4W Rd
R646	06S44593P97	22K 1/4W Rd
R647	06S44593P73	2.2K 1/4W Rd
R648	06S44593P53	330 1/4W Rd
R649	06S44593P85	6.8K 1/4W Rd
R650	06S44593P67	1.2K 1/4W Rd
R651	06S44593P97	22K 1/4W Rd
R652	06S44593P67	1.2K 1/4W Rd
R653a,b	06S44594P26	330K 1/4W Rd

Tact SW PCB Parts List

Symbol No.	Stock No.	Description
(Switch, Push)		
SW461	40T53211F01	SPQ009B
SW462	40T53211F01	SPQ009B
SW463	40T53211F01	SPQ009B
SW464	40T53211F01	SPQ009B
SW465	40T53211F01	SPQ009B
SW466	40T53211F01	SPQ009B
SW467	40T53211F01	SPQ009B
SW468	40T53211F01	SPQ009B
SW469	40T53211F01	SPQ009B
SW470	40T53211F01	SPQ009B
SW471	40T53211F01	SPQ009B
(Transistor)		
Q461	48T51089F01	2SA937Q,R
Q462	48T51089F01	2SA937Q,R
Q463	48T51089F01	2SA937Q,R
Q464	48T51089F01	2SA937Q,R
(Diode)		
D461	48T51582F01	MA-150
D462	48T51582F01	MA-150
D463	48T51582F01	MA-150
D464	48T51582F01	MA-150
(Resistor)		
R461	06S44594P06	47K 1/4W Rd
R462	06S44594P06	47K 1/4W Rd
R463	06S44594P06	47K 1/4W Rd
R464	06S44594P06	47K 1/4W Rd



Radio PCB Parts List

Symbol No.	Stock No.	Description
(IC)		
IC701	51T51095F01	LA1235
IC702	51T53323F01	LA1245
IC703	51T51696F01	TC4016BP
IC704	51T53322F01	LA3390M
IC705	51T53320F01	L78M12
(Switch,Slide)		
SW701	40T51963F01	SW343-1 (AK)
(Transistor)		
Q701	48S40732P02	2SC1674L
Q702	48T51091F01	2SC2021R,S
Q703	48S40732P02	2SC1674L
Q704	48S40732P02	2SC1674L
Q705	48T51091F01	2SC2021R,S
Q706	48T51091F01	2SC2021R,S
Q707	48T51091F01	2SC2021R,S
Q708	48T51091F01	2SC2021R,S
Q709	48T55181F01	2SC1740R,S
Q710	48T55181F01	2SC1740R,S
Q711	48T51091F01	2SC2021R,S
Q712	48T51091F01	2SC2021R,S
Q713	48T55181F01	2SC1740R,S
Q714	48T55181F01	2SC1740R,S
Q715	48T51091F01	2SC2021R,S
Q716	48T51089F01	2SA937Q,R
Q717	48T55181F01	2SC1740R,S
Q718	48T51089F01	2SA937Q,R
Q719	48S40732P02	2SC1674L
Q720	48T51091F01	2SC2021R,S
(Coil)		
L701	24T53326F01	AM OSC
L702	24T51125F01	ANT(AM) LA1210
L703	24T51126F01	IF (450KHz)
L704	24T53327F01	IF
L705	24T51128F01	FM DET LA1457
L706	91T51083F01	Anti Birdy
L707a,b	91T53325F01	LA1196
L708	24T53408F01	LA1052
L709	24T41686U24	Inductor 0.018M
(Diode,Varistor,Varactor)		
D701	48B41768G01	1N60
D702	48B41768G01	1N60
D703	48B41768G01	1N60
D704	48T51087F01	KB-265C4 Varis.
D705	Non Use	
D706	48T52826F01	SVC321 Varac.
D707	48T52826F01	SVC321 Varac.
D708	48T51582F01	MA-150
D709	48T51582F01	MA-150
D710	Non Use	
D711	48T51582F01	MA-150
D712	48B41768G01	1N60
D713	48B41768G01	1N60
D714	48T51582F01	MA-150
D715	48T51582F01	MA-150
D716	48T51582F01	MA-150

Symbol No.	Stock No.	Description
D717	48T51582F01	MA-150
D718	48T51582F01	MA-150
D719	48T51582F01	MA-150
D720	48T51582F01	MA-150
D721	48T51582F01	MA-150
D722	48T51582F01	MA-150
D723	48T51582F01	MA-150
D724	48T51582F01	MA-150
D725	48T51582F01	MA-150
D726	48T51582F01	MA-150
D727	48T51582F01	MA-150
D728	48T51582F01	MA-150
(Filter)		
CF701	91T51130F01	SEF 10.7MM Ce
CF702	91T51131F01	SEF 10.7ML Ce
CF703	91T53407F01	10.7MS3GY-A Ce
CF704	91T53407F01	10.7MS3GY-A Ce
(Front End)		
FE701	77T51132F01	FD216U11X
(Trimmer)		
CT701	20T47503F02	TZ03 Red
CT702	20T47503F02	TZ03 Red
(Variable,Resistor)		
VR701	18C42061J14	10KB
VR702	18C42061J14	10KB
VR703	18C42061J14	10KB
VR704	18C41732G06	10KB
VR705	18C42061J15	50KB
(Capacitor)		
C701	08S44505P63	22000pF Ce
C702	08S44505P63	22000pF Ce
C703	23T51235F24	22uF 16V E1
C704	08S44505P61	10000pF Ce
C705	23T51235F16	10uF 16V E1
C706	23T51235F16	10uF 16V E1
C707	23T51235F03	1uF 50V E1
C708	23T51235F01	0.47uF 50V E1
C709	08S44505P49	1000pF Ce
C710	08S44505P49	1000pF Ce
C711	08S44505P61	10000pF Ce
C712	08S44505P63	22000pF Ce
C713	08S44505P63	22000pF Ce
C714	21C40133G18	40000pF 50V Ce
C715	08S44505P63	22000pF Ce
C716	08S44505P63	22000pF Ce
C717	08S44505P63	22000pF Ce
C718	23T51235F16	10uF 16V E1
C719	08S44505P41	220pF Ce
C720	23T51235F05	2.2uF 50V E1
C721	23T51235F01	0.47uF 50V E1
C722	08S44505P63	22000pF Ce
C723	23T51235F16	10uF 16V E1
C724	08S44505P63	22000pF Ce
C725	23T51235F44	100uF 16V E1
C726	23T51235F13	4.7uF 50V E1
C727	23T51235F01	0.47uF 50V E1
C728	08S44505P63	22000pF Ce

RX-103

RX-103

Symbol No.	Stock No.	Description
C729	23T51235F44	100uF 16V E1
C730	08S44505P49	1000pF Ce
C731	08S44505P63	22000pF Ce
C732	23T51235F13	4.7uF 50V E1
C733	23T51235F08	3.3uF 50V E1
C734	08S44505P61	10000pF Ce
C735	08S44505P49	1000pF Ce
C736	08S44505P63	22000pF Ce
C737	08S44505P63	22000pF Ce
C738	08S44505P63	22000pF Ce
C739	08T42081U13	Pe
C740	21C41701J52	10pF Ce
C741	08S44505P61	10000pF Ce
C742	21C41701J52	10pF Ce
C743	08S44505P61	10000pF Ce
C744	08S44505P63	22000pF Ce
C745	08S44505P63	22000pF Ce
C746	08S44505P63	22000pF Ce
C747	08S44505P63	22000pF Ce
C748	08S44505P63	22000pF Ce
C749	08S44505P63	22000pF Ce
C750	Non Use	
C751	23T51235F44	100uF 16V E1
C752	08S44505P63	22000pF Ce
C753	23T51234F53	220uF 16V E1
C754	23T51235F44	100uF 16V E1
C755	08S44505P63	22000pF Ce
C756	23T51235F05	2.2uF 50V E1
C757	23T51235F05	2.2uF 50V E1
C758	23T51235F16	10uF 16V E1
C759	23T51235F08	3.3uF 50V E1
C760	08T42081U17	470pF Pe
C761	08T42081U17	470pF Pe
C762	08S44505P49	1000pF Ce
C763	21B41870J02	0.1uF Ce
C764	08S44505P63	22000pF Ce
C765	23T51235F01	0.47uF 50V E1
	23T42478F20	0.22uF 50V E1 (AK)
C766	23T51235F16	10uF 16V E1
C767	23T51235F08	3.3uF 50V E1
C768	23T51235F38	47uF 16V E1
C769	23T51234F21	22uF 16V E1
C770	23T51235F13	4.7uF 50V E1
C771	23T51235F01	0.47uF 50V E1
C772	Non Use	
C773	08S41442F21	0.047uF My
C774	23T51235F05	2.2uF 50V E1
C775	23T51235F08	3.3uF 50V E1
C776	23T51235F03	1uF 50V E1
C777	08T42081U25	Pe
C778	Non Use	
C779	Non Use	
C780	Non Use	
C781	Non Use	
C782	Non Use	
C783	Non Use	
C784	Non Use	

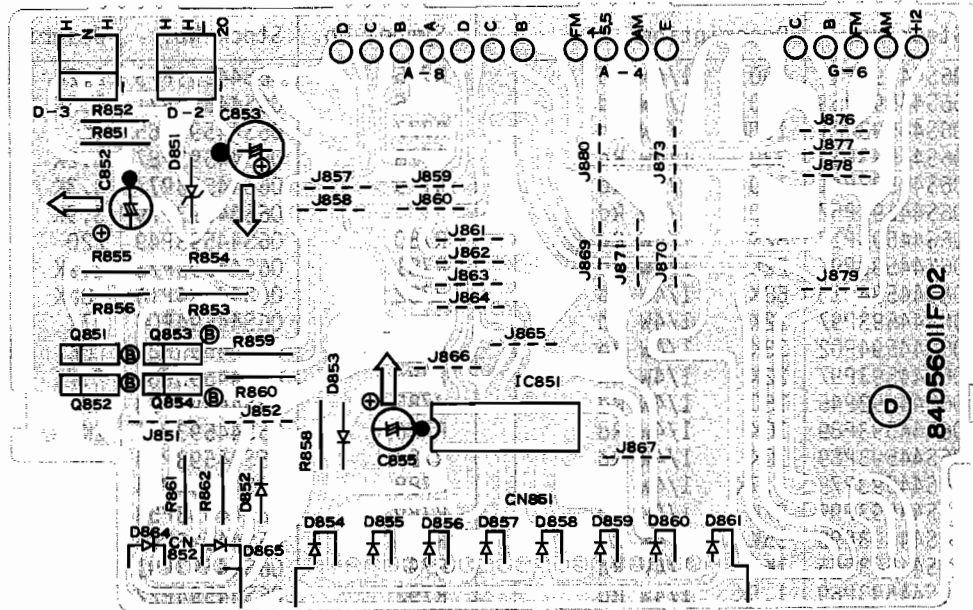
Symbol No.	Stock No.	Description
C785	Non Use	
C786	Non Use	
C787	Non Use	
C788	Non Use	
C789	Non Use	
C790	23T51235F16	10uF 16V E1
C791	08T42081U19	Pe
	08T42081U15	390pF Pe (AK)
C792	08T42081U19	Pe
	08T42081U15	390pF Pe (AK)
C793	08S44505P61	10000pF Ce
C794	08S44505P61	10000pF Ce
C795	Non Use	
C796 a,b	23T51235F05	2.2uF 50V E1
C797	Non Use	
C798	Non Use	
C799	23T51235F16	10uF 16V E1
C800	08S41442F21	0.047uF My
C801	08S44505P63	22000pF Ce
802	08S44505P49	1000pF Ce
C803	08S44505P41	220pF Ce
C804	Non Use	
	08T42081U07	180pF Pe (AK)
C805	Non Use	
	08T42081U07	180pF Pe (AK)
C806	08S44505P63	22000pF Ce
C807	08S44505P63	22000pF Ce
C808	08S44505P63	22000pF Ce
C809	08S44505P63	22000pF Ce
C810	08S44505P63	22000pF Ce
C811	08S44505P63	22000pF Ce
C812	08S44505P63	22000pF Ce
C813	08S44505P63	22000pF Ce
C814	Non Use	
C815	08S44505P63	22000pF Ce
C816	Non Use	
C817	08S44505P63	22000pF Ce
C818	08S44505P63	22000pF Ce
(Resistor)		
R701	06S44593P57	470 1/4W Rd
R702	06S44593P81	4.7K 1/4W Rd
R703	06S44593P41	100 1/4W Rd
R704	06S44593P57	470 1/4W Rd
R705	06S44593P41	100 1/4W Rd
R706	06S44593P97	22K 1/4W Rd
R707	06S44594P02	33K 1/4W Rd
R708	06S44594P02	33K 1/4W Rd
R709	06S44594P12	82K 1/4W Rd
R710	06S44594P06	47K 1/4W Rd
R711	06S44593P77	3.3K 1/4W Rd
R712	06S44594P30	470K 1/4W Rd
R713	06S44593P75	2.7K 1/4W Rd
R714	06S44594P14	100K 1/4W Rd
R715	06S44594P26	330K 1/4W Rd
R716	06S44593P77	3.3K 1/4W Rd
R717	06S44593P57	470 1/4W Rd
R718	06S44593P63	820 1/4W Rd

Symbol No.	Stock No.	Description
R719	06S44593P41	100 1/4W Rd
R720	06S44593P53	330 1/4W Rd
R721	06S44593P71	1.8K 1/4W Rd
R722	06S44593P53	330 1/4W Rd
R723	06S44593P41	100 1/4W Rd
R724	06S44593P57	470 1/4W Rd
R725	06S44594P12	82K 1/4W Rd
R726	06S44593P97	22K 1/4W Rd
R727	06S44594P10	68K 1/4W Rd
R728	06S44593P97	22K 1/4W Rd
R729	06S44594P02	33K 1/4W Rd
R730	06S44593P97	22K 1/4W Rd
R731	06S44593P45	150 1/4W Rd
R732	06S44593P89	10K 1/4W Rd
R733	06S44593P89	10K 1/4W Rd
R734	06S44593P75	2.7K 1/4W Rd
R735	06S44593P99	27K 1/4W Rd
R736	06S44593P93	15K 1/4W Rd
R737	06S44593P65	1K 1/4W Rd
R738	06S44593P69	1.5K 1/4W Rd
R739	06S44593P89	10K 1/4W Rd
R740	06S44594P14	100K 1/4W Rd
R741	06S44594P14	100K 1/4W Rd
R742	06S44593P41	100 1/4W Rd
R743	06S44593P65	1K 1/4W Rd
R744	06S44593P89	10K 1/4W Rd
R745	06S44593P41	100 1/4W Rd
R746	06S44593P57	470 1/4W Rd
R747	06S44594P06	47K 1/4W Rd
R748	06S44594P06	47K 1/4W Rd
R749	06S44594P06	47K 1/4W Rd
R750	06S44593P83	5.6K 1/4W Rd
R751	06S44593P73	2.2K 1/4W Rd
R752	06S44593P95	18K 1/4W Rd
R753	06S44593P49	220 1/4W Rd
R754	06S44593P73	2.2K 1/4W Rd
R755	06S44593P89	10K 1/4W Rd
R756	06S44593P89	10K 1/4W Rd
R757	06S44593P33	47 1/4W Rd
R758	06S44593P89	10K 1/4W Rd
R759	06S44593P89	10K 1/4W Rd
R760	06S44593P77	3.3K 1/4W Rd
R761	06S44593P65	1K 1/4W Rd
R762	06S44593P97	22K 1/4W Rd
R763	06S44593P97	22K 1/4W Rd
R764	06S44593P49	220 1/4W Rd
R765	06S44593P81	4.7K 1/4W Rd
R766	06S44593P89	10K 1/4W Rd
R767	06S44593P89	10K 1/4W Rd
R768	06S44594P18	150K 1/4W Rd
R769	06S44593P89	10K 1/4W Rd
R770	06S44593P89	10K 1/4W Rd
R771	06S44593P81	4.7K 1/4W Rd
R772	06S44593P97	22K 1/4W Rd
R773	06S44593P97	22K 1/4W Rd
R774	06S44593P65	1K 1/4W Rd

Symbol No.	Stock No.	Description
R775	06S44593P73	2.2K 1/4W Rd
R776	06S44593P71	1.8K 1/4W Rd
R777	06S44593P65	1K 1/4W Rd
R778	06S44593P87	8.2K 1/4W Rd
R779	06S44593P77	3.3K 1/4W Rd
	06S44593P79	3.9K 1/4W Rd (AK)
R780	06S44593P49	220 1/4W Rd
R781	06S44593P73	2.2K 1/4W Rd
R782	06S44594P14	100K 1/4W Rd
	06S44594P06	47K 1/4W Rd (AK)
R783	06S44593P89	10K 1/4W Rd
R784	06S44593P81	4.7K 1/4W Rd
R785	06S44593P33	47 1/4W Rd
R786	06S44593P65	1K 1/4W Rd
R787	06S44593P89	10K 1/4W Rd
R788	06S44594P14	100K 1/4W Rd
R789	06S44593P53	330 1/4W Rd
R790	06S44593P65	1K 1/4W Rd
R791	06S44593P91	12K 1/4W Rd
R792	06S44594P22	220K 1/4W Rd
R793	06S44594P14	100K 1/4W Rd
R794	06S44593P89	10K 1/4W Rd
R795	06S44593P89	10K 1/4W Rd
R796	06S44594P06	47K 1/4W Rd
R797	06S44594P16	120K 1/4W Rd
R798	06S44594P16	120K 1/4W Rd
R799	06S44593P17	10 1/4W Rd
R800	06S44593P17	10 1/4W Rd
R801	06S44593P65	1K 1/4W Rd
R802	06S44593P65	1K 1/4W Rd
R803 a,b	06S44593P73	2.2K 1/4W Rd
R804		Non Use
R805 a,b	06S44593P77	3.3K 1/4W Rd
R806 a,b	06S44593P41	100 1/4W Rd
R807	06S44593P71	1.8K 1/4W Rd
R808	06S44593P63	820 1/4W Rd
R809	06S44593P63	820 1/4W Rd
R810		Non Use
R811	06S44593P59	560 1/4W Rd
R812	06S44593P69	1.5K 1/4W Rd
R813	06S44593P57	470 1/4W Rd
R814	06S44593P65	1K 1/4W Rd
R815	06S44593P31	39 1/4W Rd
R816	06S44593P65	1K 1/4W Rd
R817	06S44593P31	39 1/4W Rd
R818		Non Use
R819	06S44593P35	56 1/4W Rd
R820	06S44593P65	1K 1/4W Rd
R821	06S44593P41	100 1/4W Rd
R822	06S44593P53	330 1/4W Rd
R823	06S44593P65	1K 1/4W Rd
R824	06S44593P65	1K 1/4W Rd
R825	06S44594P06	47K 1/4W Rd
R826	06S44594P06	47K 1/4W Rd
R827	06S44593P17	10K 1/4W Rd

RX-103

Preset LED PCB Parts List



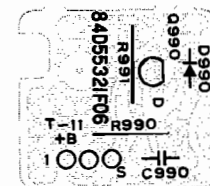
Symbol No.	Stock No.	Description
(IC)		
IC851	51T53321F01	M74LS42P
(Transistor)		
Q851	48T51091F01	2SC2021R,S
Q852	48T51091F01	2SC2021R,S
Q853	48T51091F01	2SC2021R,S
Q854	48T51091F01	2SC2021R,S
(Diode,LED)		
D851	48T52739F37	HZ6B-1 Zener
D852	48T51582F01	MA-150
D853	48T51582F01	MA-150
D854	48T50885F01	SLP144B LED
D855	48T50885F01	SLP144B LED
D856	48T50885F01	SLP144B LED
D857	48T50885F01	SLP144B LED
D858	48T50885F01	SLP144B LED
D859	48T50885F01	SLP144B LED
D860	48T50885F01	SLP144B LED
D861	48T50885F01	SLP144B LED
D862	Non Use	
D863	Non Use	

Symbol No.	Stock No.	Description
D864	48T50885F01	SLP144B LED
D865	48T50885F01	SLP144B LED
(Capacitor)		
C851	Non Use	
C852	23S41198U15	22uF 25V E1
C853	23S41198U15	22uF 25V E1
C854	Non Use	
C855	23S41198U12	10uF 50V E1
(Resistor)		
R851	06S44593P49	220 1/4W Rd
R852	06S44593P49	220 1/4W Rd
R853	06S44593P97	22K 1/4W Rd
R854	06S44593P77	3.3K 1/4W Rd
R855	06S44594P14	100K 1/4W Rd
R856	06S44594P06	47K 1/4W Rd
R857	Non Use	
R858	06S44593P57	470 1/4W Rd
R859	06S44593P89	10K 1/4W Rd
R860	06S44593P89	10K 1/4W Rd
R861	06S44593P57	470 1/4W Rd
R862	06S44593P57	470 1/4W Rd

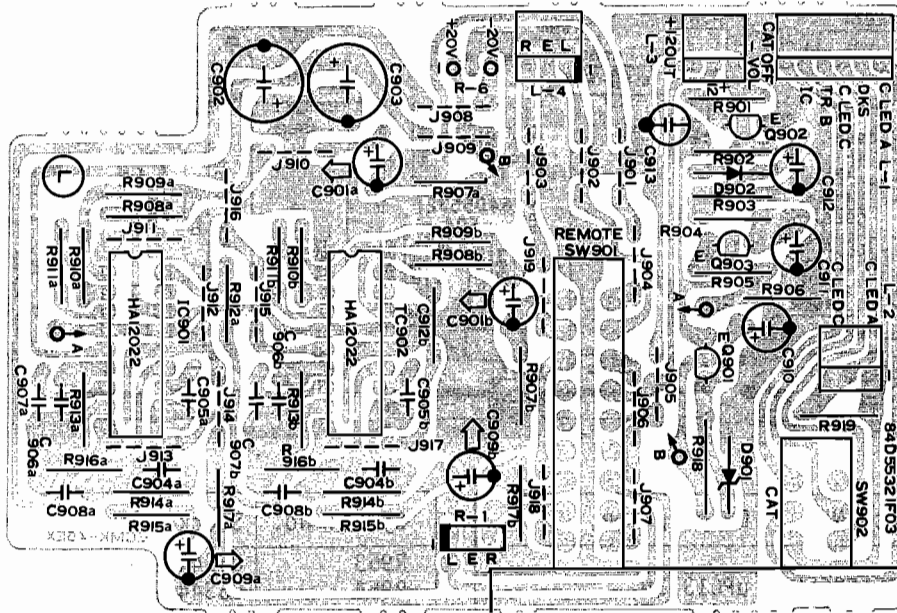
RX-103

Infrared PCB Parts List

Symbol No.	Stock No.	Description
(Diode)		
D990	48T51509F01	PH302 Phono
(FET)		
Q990	48T56281F01	2SK170 BL
(Capacitor)		
C990	21C41701J32	270pF Ce
(Resistor)		
R990	06S44594P36	820K 1/4W Rd
R991	06S44594P42	1.5M 1/4W Rd



Voltage Amp PCB Parts List

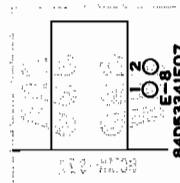


Symbol No.	Stock No.	Description
(Switch Push)		
SW901,902	40T56271F01	SUL221A
(IC)		
IC901	51T55302F01	HA12022
IC902	51T55302F01	HA12022
(Transistor)		
Q901	48S43525F02	2SC1815Y
Q902	48T56278F01	2SC3068
Q903	48S43525F02	2SC1815Y
(Diode)		
D901	48T52739F81	HZ16-3 Zener
D902	48T51582F01	MA-150
(Capacitor)		
C901a,b	23T51236F08	4.7uF 25V E1
C902	23T51234F54	220uF 25V E1
C903	23T51234F54	220uF 25V E1
C904a,b	21S40655F11	10pF Ce
C905a,b	21S40655F13	15pF Ce
C906a,b	21S40655F11	10pF Ce
C907a	21C45322G12	15pF 50V Ce
C907b	21S40655F13	15pF Ce
C908a,b	21S40655F11	10pF Ce
C909a,b	23T51236F08	4.7uF 25V E1
C910	23T51235F39	47uF 25V E1

Symbol No.	Stock No.	Description
C911	23T51235F05	2.2uF 50V E1
C912	23T51235F16	10uF 16V E1
C913	23T51235F39	47uF 25V E1
(Resistor)		
R901	06S44593P89	10K 1/4W Rd
	06S44593P97	22K 1/4W Rd (AK)
R902	06S44593P81	4.7K 1/4W Rd
R903	06S44593P81	4.7K 1/4W Rd
R904	06S44594P06	47K 1/4W Rd
R905	06S44593P79	3.9K 1/4W Rd
R906	06S44593P61	680 1/4W Rd
R907 a,b	06S44594P30	470K 1/4W Rd
R908 a,b	06S44594P26	330K 1/4W Rd
R909 a,b	06S44594P06	47K 1/4W Rd
R910 a,b	06S44594P06	47K 1/4W Rd
R911 a,b	06S44594P26	330K 1/4W Rd
R912 a,b	06S44594P13	91K 1/4W Rd
R913 a,b	06S44594P18	150K 1/4W Rd
R914 a,b	06S44594P18	150K 1/4W Rd
R915 a,b	06S44593P57	470 1/4W Rd
R916 a,b	06S44594P18	150K 1/4W Rd
R917 a,b	06S44594P30	470K 1/4W Rd
R918	06D40801G67	1.5K 1/2W Rd
R919	06S44593P89	10K 1/4W Rd

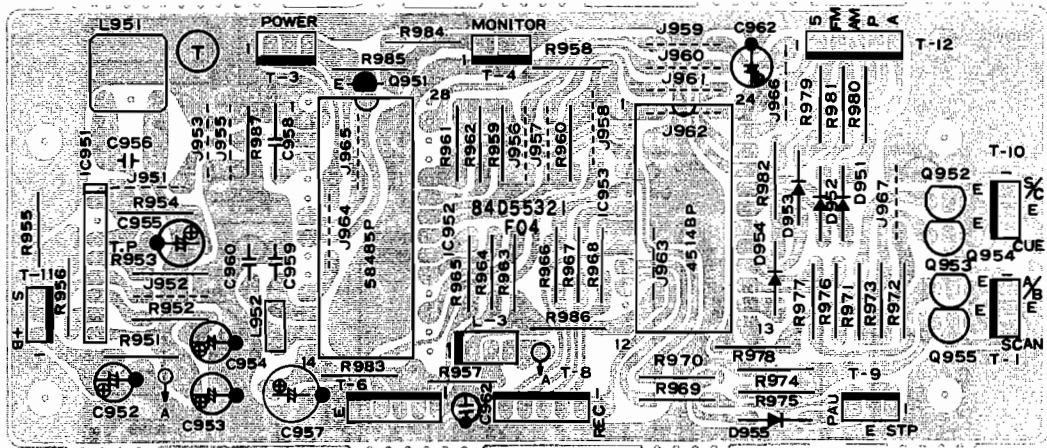
Switch PCB Parts List

Symbol No.	Stock No.	Description
(Switch Push)		
	40T55293F01	SUL121A



RX-103

Decoder PCB Parts List



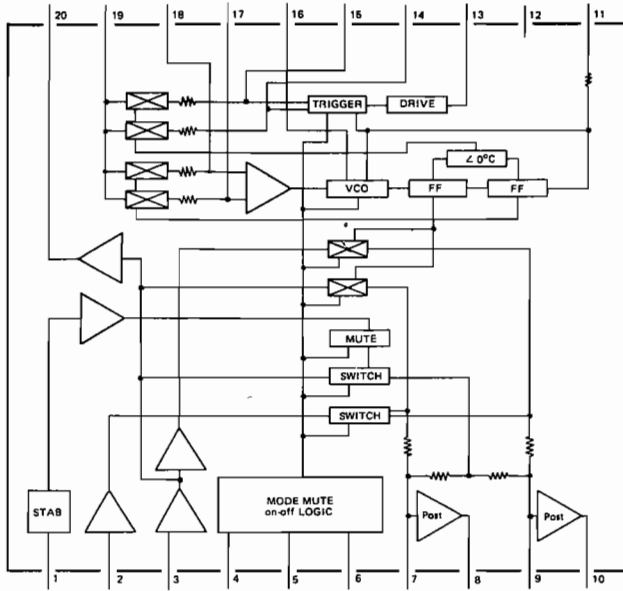
Symbol No.	Stock No.	Description
(IC)		
IC951	51T51506F01	uPC1373H
IC952	51T55303F01	M-58485P
IC953	51T55304F01	HD-14514B
(Coil, Resonator)		
L951	24T56009F01	Peaking M-10B
L952	91T55305F01	Cer. CSB455A
(Transistor)		
Q951	48T51118F01	2SA1015Y
Q952	48S43525F02	2SC1815Y
Q953	48S43525F02	2SC1815Y
Q954	48S43525F02	2SC1815Y
Q955	48S43525F02	2SC1815Y
(Diode)		
D951	48T51582F01	MA-150
D952	48T51582F01	MA-150
D953	48T51582F01	MA-150
D954	48T51582F01	MA-150
D955	48T51582F01	MA-150
(Capacitor)		
C951	Non Use	
C952	23T51235F38	47uF 16V E1
C953	23T51235F44	100uF 16V EL
C954	23T51235F13	4.7uF 50V EL
C955	23T51235F16	10uF 16V E1
C956	08T52448F25	0.0033uF Pp
C957	23T51235F38	47uF 16V E1
C958	08S44505P61	10000pF Ce
C959	21S40655F23	100pF Ce
C960	21S40655F23	100pF Ce
C961	Non Use	
C962	Non Us	
C963	23T51234F05	2.2uF 50V E1
(Resistor)		
R951	06S44593P61	680 1/4W Rd
R952	06S44593P51	270 1/4W Rd

Symbol No.	Stock No.	Description
R953	06S44594P22	220K 1/4W Rd
R954	06S44594P14	100K 1/4W Rd
R955	06S44593P77	3.3K 1/4W Rd
R956	06S44594P02	33K 1/4W Rd
R957	06S44593P53	330 1/4W Rd
R958	06S44594P14	100K 1/4W Rd
R959	06S44594P14	100K 1/4W Rd
R960	06S44594P14	100K 1/4W Rd
R961	06S44594P14	100K 1/4W Rd
R962	06S44594P14	100K 1/4W Rd
R963	06S44593P97	22K 1/4W Rd
R964	06S44593P97	22K 1/4W Rd
R965	06S44593P97	22K 1/4W Rd
R966	06S44593P97	22K 1/4W Rd
R967	06S44593P97	22K 1/4W Rd
R968	06S44593P97	22K 1/4W Rd
R969	06S44593P97	22K 1/4W Rd
R970	06S44593P97	22K 1/4W Rd
R971	06S44594P14	100K 1/4W Rd
R972	06S44594P14	100K 1/4W Rd
R973	06S44594P14	100K 1/4W Rd
R974	06S44594P14	100K 1/4W Rd
R975	06S44593P97	22K 1/4W Rd
R976	06S44593P97	22K 1/4W Rd
R977	06S44593P97	22K 1/4W Rd
R978	06S44593P97	22K 1/4W Rd
R979	06S44593P89	10K 1/4W Rd
R980	06S44593P89	10K 1/4W Rd
R981	06S44593P89	10K 1/4W Rd
R982	06S44593P89	10K 1/4W Rd
R983	06S44593P61	680 1/4W Rd
R984	06S44594P06	47K 1/4W Rd
R985	06S44594P06	47K 1/4W Rd
R986	06S44593P73	2.2K 1/4W Rd
R987	06S44594P38	1M 1/4W Rd

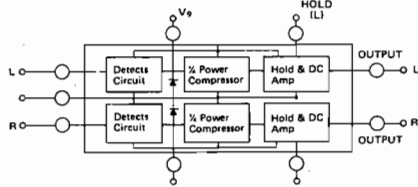
PX-103

IC Handling Guide

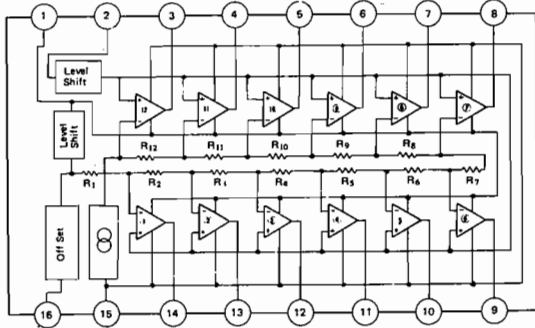
LA3390M MONOLITHIC LINEAR IC



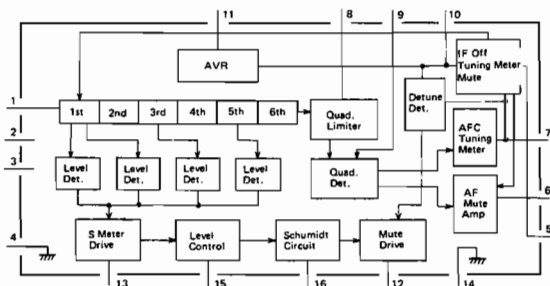
TA7318P PEAK POWER METER DRIVER



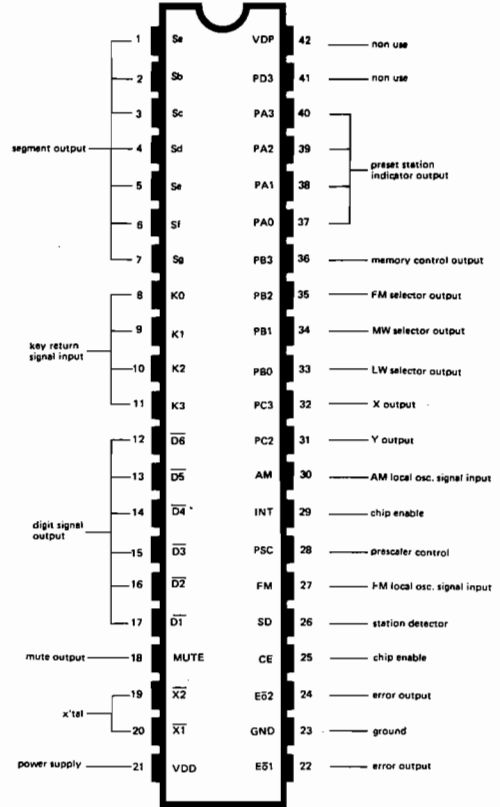
HA-12010 FLUORESCENT TUBE DRIVER FOR BAR GRAPH DISPLAY



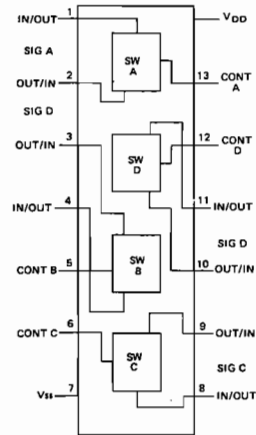
LA-1235 MONOLITHIC LINEAR IC



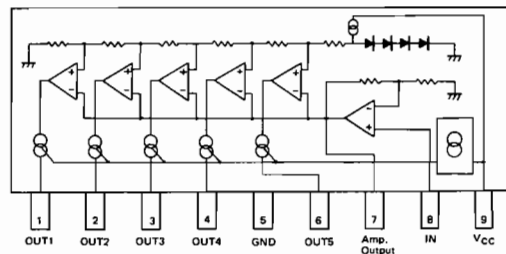
μPC1704



TC4016BP QUARD BILATERAL SWITCH

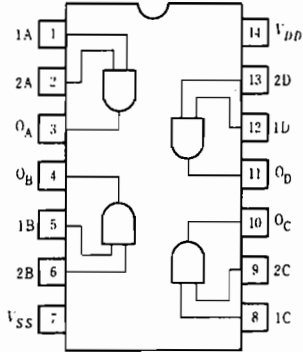


BA-6125

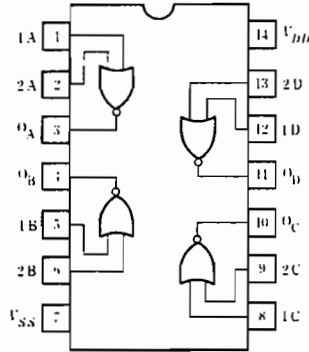


RX-103

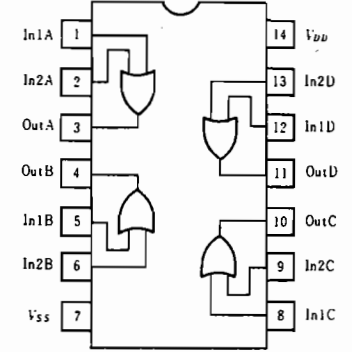
HD14081B QUADRUPLE 2-INPUT AND GATE



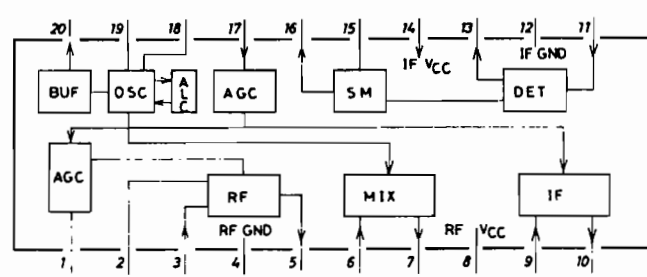
HD14001B QUADRUPLE 2-INPUT NOR GATE



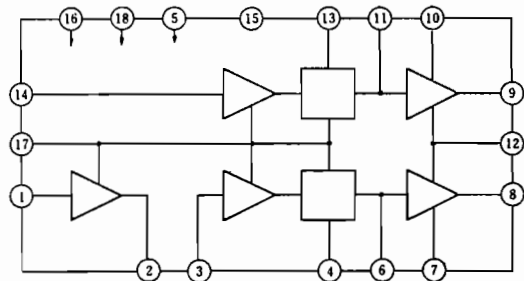
HD14071B QUADRUPLE 2-INPUT OR GATE



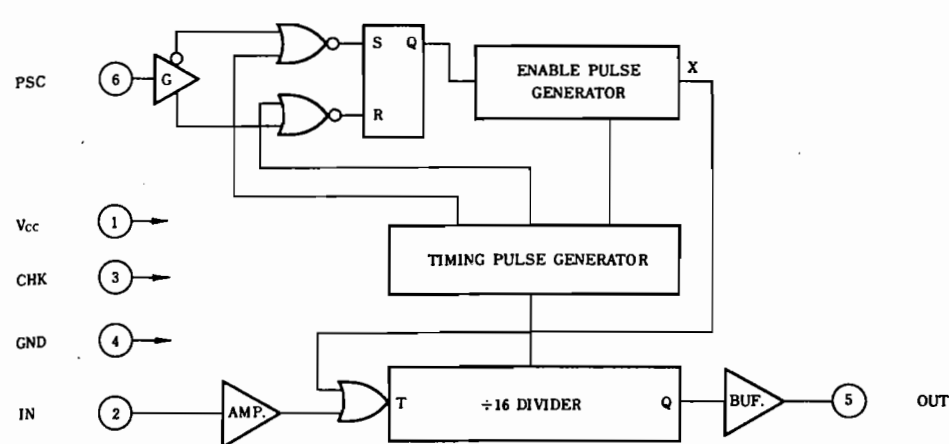
LA1245 AM TUNER WITH ELECTRONIC TUNING OF TABLE TOP STEREO



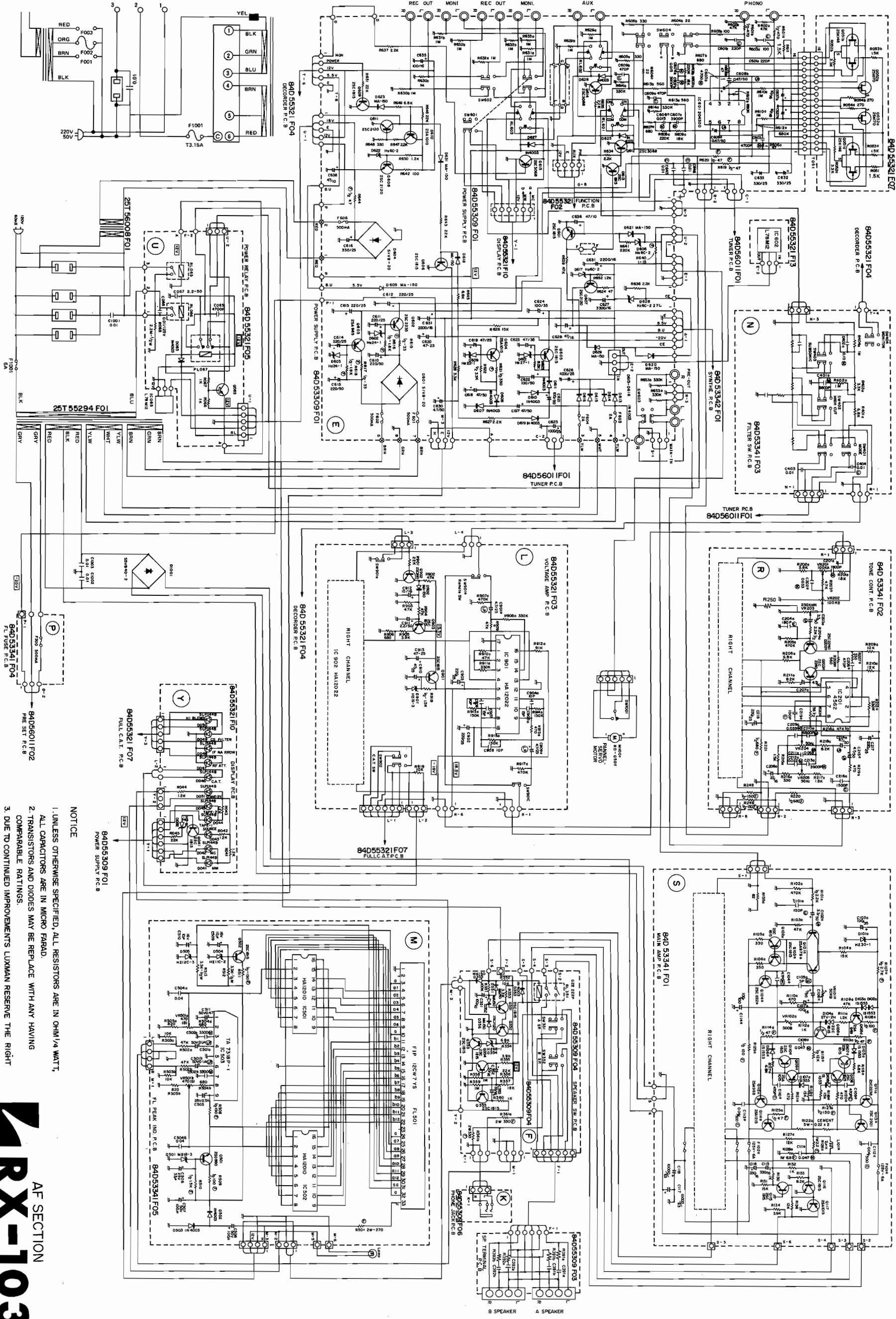
HA12022 VOLTAGE GAIN CONTROL AMP



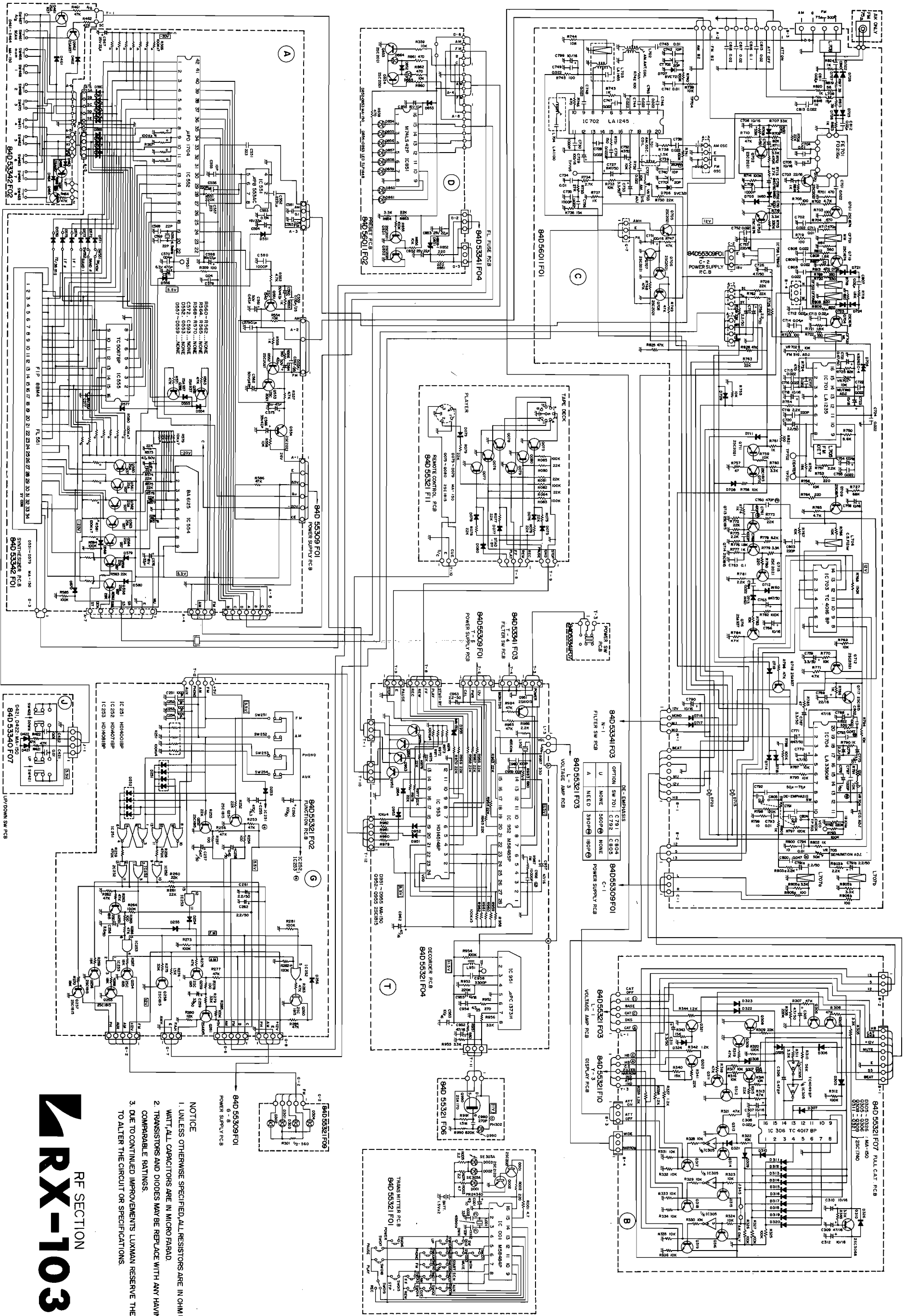
μPB553AC 150MHz PRESCALER



RX-103



NOTICE
 1. UNLESS OTHERWISE SPECIFIED, ALL RESISTORS ARE IN OHM/¼ WATT.
 2. ALL CAPACITORS ARE IN MICRO FARAD.
 3. TRANSISTORS AND DIODES MAY BE REPLACED WITH ANY HAVING COMPARABLE RATINGS.
 4. DUE TO CONTINUED IMPROVEMENTS LUXMAN RESERVE THE RIGHT TO ALTER THE CIRCUIT OR SPECIFICATIONS.



- NOTICE
1. UNLESS OTHERWISE SPECIFIED, ALL RESISTORS ARE IN OHM/1/4 WATT, ALL CAPACITORS ARE IN MICROFARAD
 2. TRANSISTORS AND DIODES MAY BE REPLACED WITH ANY HAVING COMPARABLE RATINGS.
 3. DUE TO CONTINUED IMPROVEMENTS LUXMAN RESERVE THE RIGHT TO ALTER THE CIRCUIT OR SPECIFICATIONS.

RF SECTION
RX-103

Specifications

[AUDIO SECTION]

Power Output
(FTC rules, 20Hz-20KHz, 8ohms)
Distortion :
Input Sensitivity
and
Input Impedance :
Phono MM Overload Voltage :
S/N Ratio :

90W
No more than 0.018%
Phono MC 150uV 100ohms
Phono MM 2.5mv 47Kohms
AUX, Monitor 150mV 30Kohms
Main 950mV 47Kohms
200mV
Phono MM 86dB
(LHF-A Weighted, 5mV)
AUX, Monitor 102dB
(IHF-A Weighted)
0.5mV
Bass : +7 dB, +10dB at 100Hz
Trebble : +6dB, -10dB at 10KHz
Subsonic : 30Hz (-6dB/oct.)
High Cut : 7KHz (-6dB/oct.)
+8dB at 100Hz, +7.5dB at 10KHz
(Loudness Control : Max, Volume, -30dB)

Residual Noise :
Tone Control :

Filters :

Loudness Control :

[FM SECTION]

Usable Sensitivity :
(at Front end Input)
50dB Quieting Sensitivity :
(at Front end Input)
S/N Ratio at 56dBf :
Distortion at 65dBf :

Mono 10.3dBf (1.8uV)
Mono 16.4dBf (3.6uV)
78dB (IHF-A Weighted)
Wide (Mono) (Stereo)
100Hz 0.06% 0.08%
1 KHz 0.05% 0.06%
6 KHz 0.08% 0.1 %
Wide/Narrow (CAT On) 1.2dB/3.3dB
70dB
100dB
65dB
Wide 1KHz 55dB
85dB

Capture Ratio at 65dBf :
Image Response Ratio :
IF Response Ratio :
AM Suppression Ratio :
Stereo Separation :
Spurious Response Ratio :
Alternate Channel Selectivity :
75KHz Deviation, +400KHz
40KHz Deviation, +30KHz
Adjacent Channel Selectivity :
75KHz Deviation, +200KHz
SCA Rejection Ratio :

Wide/Narrow 60dB/90dB
Wide/Narrow 45dB/78dB
Wide /Narrow 6dB/20dB
60dB

[AM SECTION]

IHF Usable Sensitivity (1 MHz) :
Image Response Ratio at 1 MHz :
S/N Ratio :
Distortion :

550uV/m (Loop Ant.), 15uV (Fxt. Ant.)
40dB
50dB
0.3%

[GENERAL]

Power Consumption :
Dimensions (N×D×H)

120V 3.1V (CSA Rated)
453×455×147mm (17.8"×17.9"×5.3")
(RC-103 70×170×21mm)

Weight :

Net 15.5Kgs (34.1lbs) Gross 18.0Kgs (39.6lbs)
(RC-103 165g (With batteries))

Specifications and appearance design subject to change without notice.

RX-103



LUX CORPORATION, JAPAN

1-1, 1-CHOME, SHINSENRI-NISHIMACHI, TOYONAKA-SHI, OSAKA 565
PHONE: 06-834-0004 CABLE: LUXMAN TOYONAKA TELEX: 5287106 LUXELE J

RX-NK.8303.010A Printed in Japan